

# Engineering Specification

Job Name \_\_\_\_\_  
 Job Location \_\_\_\_\_  
 Engineer \_\_\_\_\_  
 Approval \_\_\_\_\_

Contractor \_\_\_\_\_  
 Approval \_\_\_\_\_  
 Contractor's P.O. No. \_\_\_\_\_  
 Representative \_\_\_\_\_

## RD-100-CP15 Roof Drain with 15" x 15" Promenade Top



### Specification

Watts RD-100-CP15 epoxy coated cast iron roof drain with flashing clamp with integral gravel stop, 15 5/8" x 15 5/8" square epoxy coated ductile iron promenade top, and no hub (standard) outlet.

Call customer service if you need assistance with technical details.

Pipe Sizing			Options		
Suffix	Description		Suffix	Description	
2	2"(51) Pipe Size	<input type="checkbox"/>	-1	All Nickel Bronze Top	<input type="checkbox"/>
3	3"(76) Pipe Size	<input type="checkbox"/>	-6	Vandal Proof Top	<input type="checkbox"/>
4	4"(102) Pipe Size	<input type="checkbox"/>	-9	Hinged Grate	<input type="checkbox"/>
5	5"(127) Pipe Size	<input type="checkbox"/>	-13	Galvanized Body & Flashing Clamp	<input type="checkbox"/>
6	6"(152) Pipe Size	<input type="checkbox"/>	-B	Sump Receiver	<input type="checkbox"/>
			-D	Underdeck Clamp	<input type="checkbox"/>
			-F	Deck Flange/Adj. Extension	<input type="checkbox"/>
			-SO	Side Outlet (2, 3, 4" Only)	<input type="checkbox"/>

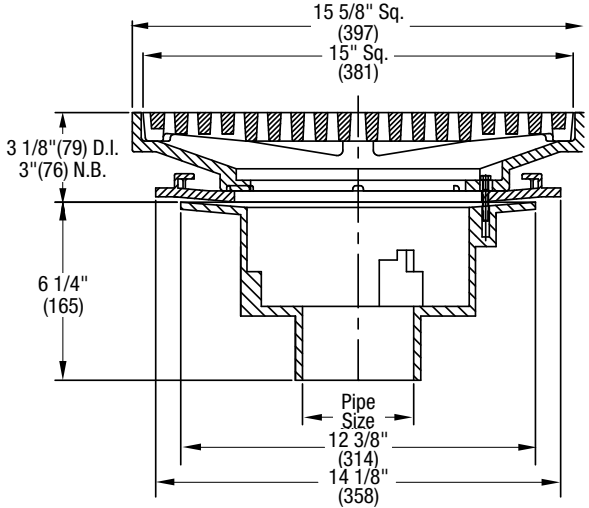
  

Outlet Type		
Suffix	Description	
NH	No Hub (MJ)	<input type="checkbox"/>
P	Push On	<input type="checkbox"/>
T	Threaded	<input type="checkbox"/>
X	Inside Caulk	<input type="checkbox"/>

Load Rating	Free Area Sq. In.
XHD	57

**Deck Opening 10"(254)  
 with Sump Receiver 13 1/4"(337)**



### NOTICE

The information contained herein is not intended to replace the full product installation and safety information available or the experience of a trained product installer. You are required to thoroughly read all installation instructions and product safety information before beginning the installation of this product.

### NOTICE

The load classifications are in accordance with the American National Standards ASME A112.6.3 ASME Ratings are as follows:  
 XHD - Safe Live Load 7500-10,000 lbs.(3375-4500 kg)  
 The above categories are given as a guide only. Please consult factory.

Watts product specifications in U.S. customary units and metric are approximate and are provided for reference only. For precise measurements, please contact Watts Technical Service. Watts reserves the right to change or modify product design, construction, specifications, or materials without prior notice and without incurring any obligation to make such changes and modifications on Watts products previously or subsequently sold.



**USA:** T: (800) 338-2581 • Watts.com  
**Canada:** T: (888) 208-8927 • Watts.ca  
**Latin America:** T: (52) 55-4122-0138 • Watts.com

