

## For Agricultural and Industrial Applications

Job Name \_\_\_\_\_

Contractor \_\_\_\_\_

Job Location \_\_\_\_\_

Approval \_\_\_\_\_

Engineer \_\_\_\_\_

Contractor's P.O. No. \_\_\_\_\_

Approval \_\_\_\_\_

Representative \_\_\_\_\_

# APEX™ 220 Series

## High/Low Valve

Sizes: ½" – 1" (15 – 25mm)

220P Valve is an acetyl, plunger activated valve for medium sized troughs. Barbed outlet to fit silencer tube for cistern applications and comes with removable seat for lower pressures. The 222P is a plastic high/low valve ideally suited to troughs with confined inlet compartments. For connection to a hose or silencer tube, it has a barbed outlet.



Use 4" or 6" (115 or 150mm) Float  
SPARE ARM CODE: P16 220P

### Features

- Working pressure:
  - Low 0 – 70 psi (0 – 500 kPa)
  - High 0 – 200 psi (0 – 1400 kPa)
- Supplied with high pressure seat fitted (up to 200 psi (1400 kPa) working pressure)

### Specifications

- Use 4" (115mm) Float.
- Removable seat for lower pressure.
- Stainless steel seat models available.

In areas where the temperature can be lower than 1°C (minimum service temperature) trough valves must be installed as bottom or side entry but NOT top entry.

### Models

**220P12 US** – ½" NPT (15mm)

**220P34 US** – ¾" NPT (20mm)

**220P1 US** – 1" NPT (25mm)

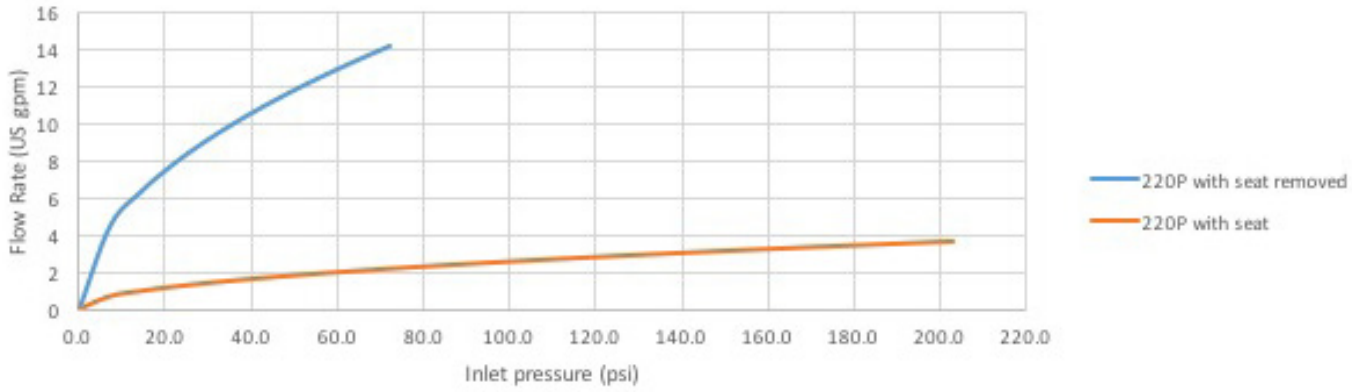
**Maximum Water Temperature:** 140°F (60°C)

**Minimum Water Temperature:** 34°F (1°C)

### NOTICE

The information contained herein is not intended to replace the full product installation and safety information available or the experience of a trained product installer. You are required to thoroughly read all installation instructions and product safety information before beginning the installation of this product.

## 220P Flow Chart



### Materials

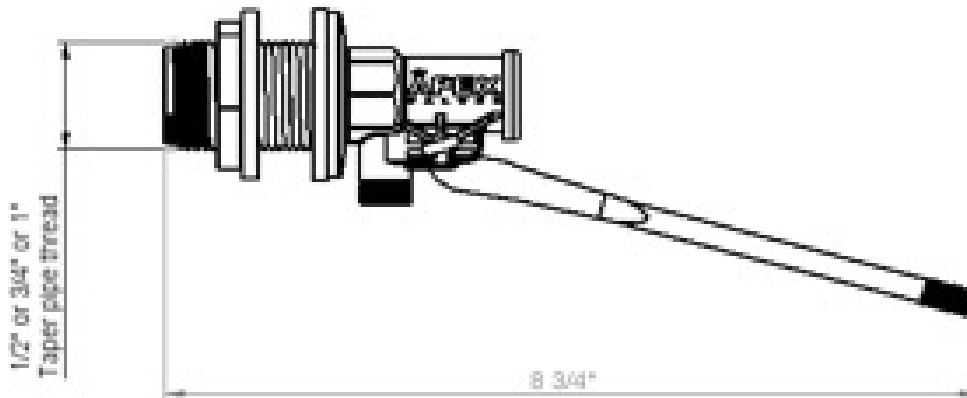
**Body:** Acetyl

**Arm:** Brass

**Seals & O-Rings:** Nitrile

**Plunger:** Acetyl

### Dimensions – Weights



**USA:** T: (978) 689-6066 • F: (978) 975-8350 • Watts.com

**Canada:** T: (905) 332-4090 • F: (905) 332-7068 • Watts.ca

**Latin America:** T: (52) 81-1001-8600 • Watts.com