

Engineering Specification

Job Name _____

Contractor _____

Job Location _____

Approval _____

Engineer _____

Contractor's P.O. No. _____

Approval _____

Representative _____

Series TP300

Trap Primer

Size: 1/2"

The TP300 operates by sensing the pressure drop in the supply line from downstream fixtures or appliances. The pressure reduction above the Valve Disc (2) causes the disk to move upward opening the Lower Disc Seal (4) and closing off the Upper Disc Seal (1). With the Lower Disc Seal (4) open the stored air pressure in the Air Chamber (5) pushes a portion of the contained volume of water from the lower chamber out through the opening beneath the Lower Disc Seal (4) to prime the trap. When there is no longer a demand in the supply line and the full line pressure is restored, the Valve Disc (2) lowers, opening the Upper Disc Seal, allowing flow through the One Way Seal (3), seating the Lower Disc Seal (4) and recharging the Air Chamber (5) for the next pressure drop cycle.

Options

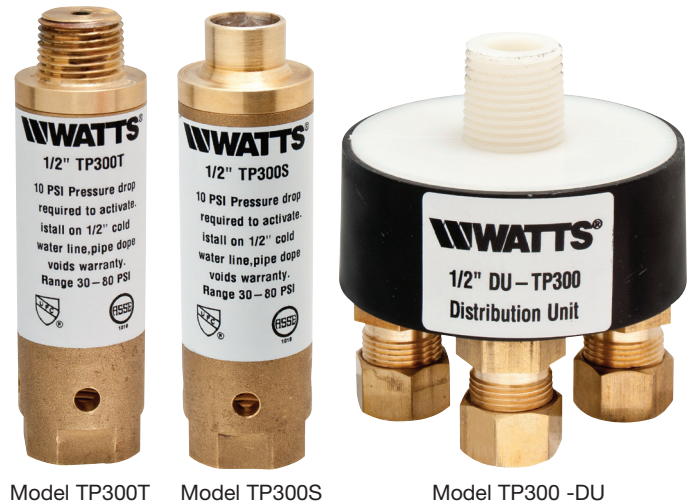
- TP300T Threaded Connections
- TP300S Union Solder Ends
- TP300-DU Distribution Unit

Features

- Built in vacuum breaker

Specifications

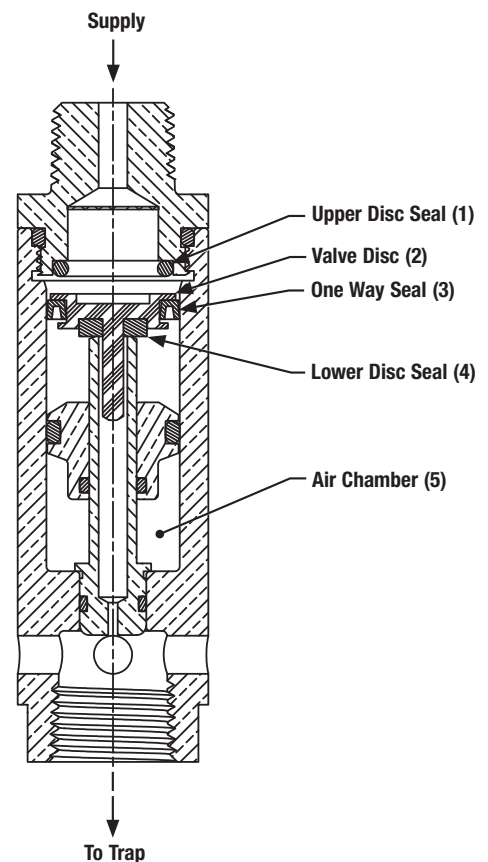
A trap primer shall be installed in plumbing systems to prevent floor drain traps from losing their water seal by evaporation. Maintaining the water seal will prevent the backflow of sewer gas into the buildings or rooms where the traps are installed. Trap primers are specified in various plumbing codes such as IAPMO, Southern Standard Building Code, National Standard Plumbing Code and many state and local plumbing codes in U.S.A. and Canada. The device shall meet the requirements of ASSE Standard 1018. Watts Series TP300T (threaded), or TP300S (solder).



Model TP300T

Model TP300S

Model TP300 -DU



NOTICE

The information contained herein is not intended to replace the full product installation and safety information available or the experience of a trained product installer. You are required to thoroughly read all installation instructions and product safety information before beginning the installation of this product.

Watts product specifications in U.S. customary units and metric are approximate and are provided for reference only. For precise measurements, please contact Watts Technical Service. Watts reserves the right to change or modify product design, construction, specifications, or materials without prior notice and without incurring any obligation to make such changes and modifications on Watts products previously or subsequently sold.



Materials

Brass Body with EPDM Seals

Pressure

Maximum supply pressure: 125psi (8.6 bar).
 Minimum supply pressure must exceed 25psi (172 kPa).
 For proper trap priming, minimum flows must exceed those stated in flow chart.

Standards



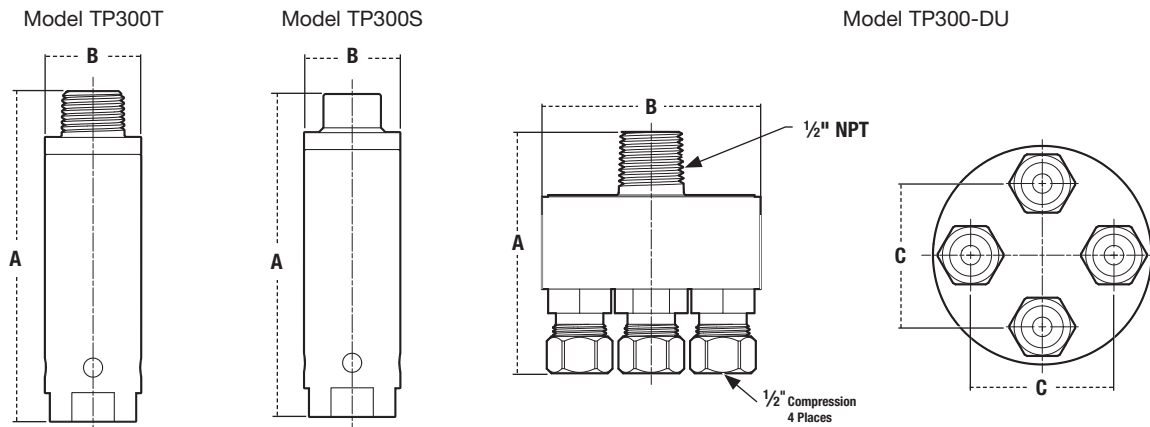
Tested and approved in conformance with Standard 1018 of the American Society of Sanitary Engineers. Listed by IAPMO.

Flow Chart

INLET PRESSURE	25	50	75	100	125
*GPM	1.1	1.6	2.0	2.3	2.4
*LPM	4.2	6.1	7.6	8.7	9.1

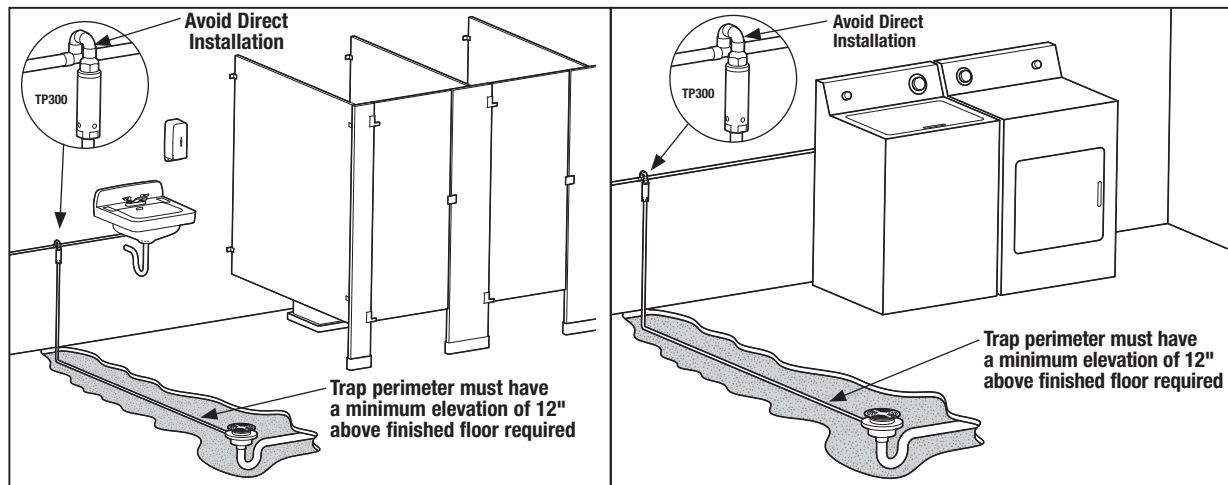
*Minimum cold flow required for proper trap priming.

Dimensions – Weights



MODEL	SIZE	DIMENSIONS						WEIGHT	
		A			B		C		lbs.
	in.	in.	mm	in.	mm	in.	mm		
TP300T	1/2	4 ⁵ / ₁₆	110	1 ¹ / ₄	32	—	—	1.0	.45
TP300S	1/2	4 ¹ / ₄	107	1 ¹ / ₄	32	—	—	.92	.42
TP300-DU	1/2	3 ¹ / ₈	79	2 ¹³ / ₁₆	71	1 ⁷ / ₈	47	.74	.34

Typical Installation



USA: T: (978) 689-6066 • F: (978) 975-8350 • Watts.com
 Canada: T: (888) 208-8927 • F: (905) 481-2316 • Watts.ca
 Latin America: T: (52) 55-4122-0138 • Watts.com