

## Engineering Specification

Job Name \_\_\_\_\_

Contractor \_\_\_\_\_

Job Location \_\_\_\_\_

Approval \_\_\_\_\_

Engineer \_\_\_\_\_

Contractor's P.O. No. \_\_\_\_\_

Approval \_\_\_\_\_

Representative \_\_\_\_\_

# Series GBV

## 2-Piece, Brass Gas Ball Valves

Sizes:  $\frac{3}{8}$ " – 1"

Series GBV 2-Piece, Brass Gas Ball Valves are used in residential and commercial applications for manufactured natural gas and LP gas on in-house and indoor piping systems. They feature a brass ball and stem, PTFE seats and packing, brass end piece and plug, and zinc alloy handle. Series GBV complies with ANSI standards for gas piping and is UL, CSA, and MEA approved.

### Features

- 2-piece body
- UL approved @ 5psi (34.2 kPa)
- Approved by CSA @  $\frac{1}{2}$ , 2 and 5psi (3, 14 and 34 kPa)
- Tested under standards Z21.15 IAS requirement

### Specifications

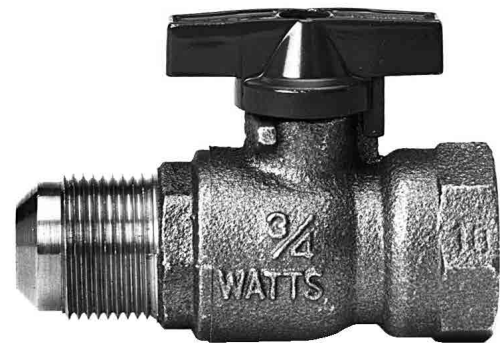
A 2-piece, brass gas ball valve to be installed as indicated on the plans. The valve must have PTFE seats, brass stem, ball and body. Pressure rating no less than 5psi (34 kPa) WOG non-shock. Valve shall be a Watts Series GBV.

### Models

- GBV**  $\frac{3}{8}$ " – 1" threaded female NPT end connections and tee handle
- GBV-FL**  $\frac{1}{2}$ " x  $\frac{3}{8}$ "  $\frac{1}{2}$ " x  $\frac{1}{2}$ ",  $\frac{3}{4}$ " x  $\frac{15}{16}$ " threaded female NPT x flare end connections and tee handle



GBV



GBV-FL

### NOTICE

The information contained herein is not intended to replace the full product installation and safety information available or the experience of a trained product installer. You are required to thoroughly read all installation instructions and product safety information before beginning the installation of this product.

### NOTICE

Inquire with governing authorities for local installation requirements

## Pressure – Temperature

Temperature Range: -20° F – 125° F (-29° C – 52° C)

Maximum Working Pressure: 5psi (34 kPa) WOG non-shock

## Approvals



CSA approved 1/2, 2 and 5psi (3, 14 and 34 kPa)

UL approved @ 5psi gas, 250 psi (34 kPa)

MEA approved for City of NY 288-92-E

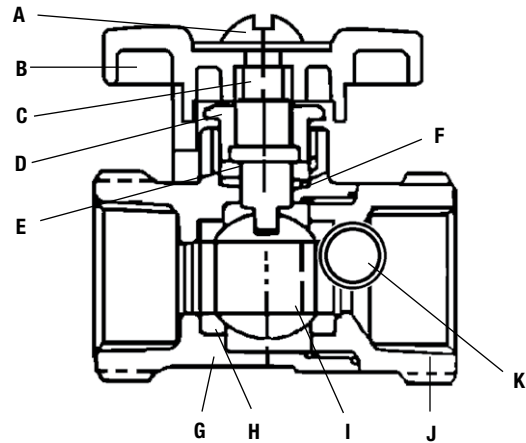
## Flow Capacities

3/8" and 1/2" @ 295 ft<sup>3</sup>/hr.

3/4" @ 790 ft<sup>3</sup>/hr.

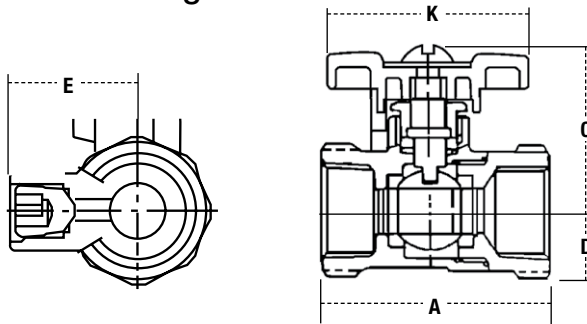
1" @ 1,200 ft<sup>3</sup>/hr.

## Materials



<b>A</b>	<b>Screw</b>	Steel AISI 1010
<b>B</b>	<b>Handle</b>	Zinc Alloy ASTM B86
<b>C</b>	<b>Stem</b>	Brass ASTM B16, C36000
<b>D</b>	<b>Stem Gland Screw</b>	Brass ASTM B16, C36000
<b>E</b>	<b>Gland</b>	Brass ASTM B16, C36000
<b>F</b>	<b>Gland Packing</b>	PTFE
<b>G</b>	<b>Body</b>	Brass ASTM B124, C37700
<b>H</b>	<b>Seats</b>	PTFE
<b>I</b>	<b>Ball</b>	Brass ASTM B124, C37700 or ASTM B16, C36000
<b>J</b>	<b>End Piece</b>	Brass ASTM B124, C37700
<b>K</b>	<b>Plug</b>	Brass ASTM B16, C3600

## Dimensions – Weights



MODEL	SIZE		DIMENSIONS								WEIGHT		
	in.	mm	A	C	D	K	E	lbs.	kg.				
GBV	3/8	1 13/16	46	1 3/8	35	3/8	10	1 3/4	45	–	–	.41	.19
GBV	1/2	2 9/16	55	1 3/8	35	3/8	10	1 3/4	45	–	–	.51	.23
GBV	3/4	2 7/16	62	1 7/16	36	9/16	15	1 3/4	45	–	–	.73	.33
GBV	1	2 7/8	73	1 9/16	40	1 3/16	20	1 3/4	45	–	–	.59	.27
GBV-FL	1/2 x 3/8	2 7/16	62	1 1/4	32	1/2	13	1 3/4	45	–	–	.53	.24
GBV-FL	1/2 x 1/2	2 1/2	64	1 1/4	32	1/2	13	1 3/4	45	–	–	.58	.26
GBV-FL	3/4 x 1 5/16	3 1/16	77	1 7/16	36	5/8	16	1 3/4	45	–	–	.86	.39



USA: T: (978) 689-6066 • Watts.com

Canada: T: (888) 208-8927 • Watts.ca

Latin America: T: (62) 55-4122-0138 • Watts.com