

**For Light Commercial Applications**

Job Name \_\_\_\_\_  
 Job Location \_\_\_\_\_  
 Engineer \_\_\_\_\_  
 Approval \_\_\_\_\_

Contractor \_\_\_\_\_  
 Approval \_\_\_\_\_  
 Contractor's P.O. No. \_\_\_\_\_  
 Representative \_\_\_\_\_

**Model PWICE3**  
**Light Commercial Ice Maker**  
**Filtration Systems**

**PURE WATER**

**Maximum Flow Rate: 4 gpm (15 lpm)**

The Model PWICE3 has been engineered to address and correct multiple common water related problems both efficiently and economically in light commercial applications for ice machines and drink stations. Water for tea, coffee, and soft drinks is filtered by the triple filter. This filtered water then feeds the remote ice filter for dedicated treatment of the ice machine.

**Applications**

- Ice Machines

**Features**

- Reduces lime scale build-up in ice machines and soda machines
- Reduces maintenance—lower maintenance costs
- Better tasting ice and drinks
- Easy to install
- Simple filter replacement
- In/Out valves allow for easy filter service
- Gauges and flush kit included
- Improves the taste of coffee, tea and soft drinks

**System Specifications**

Maximum Pressure: 125psi/8.6 bar  
 Maximum Temperature: 100°F/38°C  
 Inlet/Outlet Connections: 1/2" FPT  
 Maximum Flow Rate: 4 gpm

**Filter Cartridge Life Span**

Filter cartridges should be changed at 10,000 gallons, 15psi over all system pressure drop at normal flow rate, or 6 months. Whichever comes first.

**Replacement Filters**

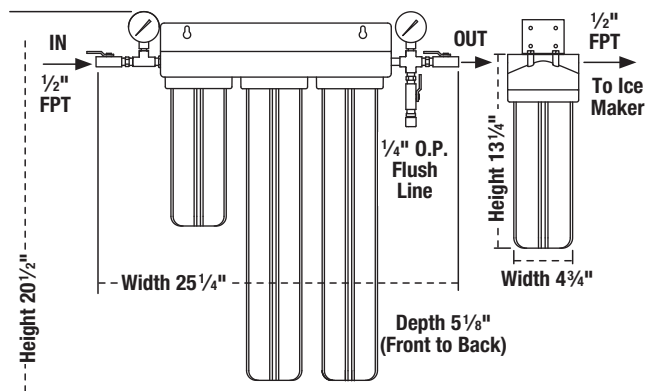
MODEL NO.	FREQUENCY	DESCRIPTION
PWFPKICE3	6 Months	10" Sediment filter
		20" Carbon Block filter (2 required)
		10" Polyphosphate filter

**Note:** Water conditions may require more frequent cartridge replacement

Watts product specifications in U.S. customary units and metric are approximate and are provided for reference only. For precise measurements, please contact Watts Technical Service. Watts reserves the right to change or modify product design, construction, specifications, or materials without prior notice and without incurring any obligation to make such changes and modifications on Watts products previously or subsequently sold.



**PWICE3 Max. Flow Rate: 4 gpm**



**Note:** Allow 3" of clearance at bottom of system for removal of filter bowls for filter cartridge replacement

**Please note:** Cartridge capacities are estimates and may be less depending on incoming water quality. Cartridges should be changed at least every 6 months.

**Note:** Do not use with water that is microbiologically unsafe or of unknown quality without adequate disinfection before or after the system.

