

Canada: 5435 North Service Rd. • Burlington, ONT. L7L 5H7 • T: 905-332-4090 • F: 905-332-7068
 Control Valves- 18550 Hansen Road • Houston, TX 77075 • T: 713-943-0688 • F: 713-944-9445

USA: Backflow- 1427 N. Market Blvd • Suite #9 • Sacramento, CA 95834 • T: 916-928-0123 • F: 916-928-9333
 A Division of Watts Water Technologies, Inc.



www.amesfirewater.com



Limited Warranty: Ames Fire & Waterworks (the "Company") warrants each product to be free from defects in material and workmanship under normal usage for a period of one year from the date of original shipment. In the event of such defects within the warranty period, the Company will, at its option, replace or recondition the product without charge.

THE WARRANTY SET FORTH HEREIN IS GIVEN EXPRESSLY AND IS THE ONLY WARRANTY GIVEN BY THE COMPANY WITH RESPECT TO THE PRODUCT. THE COMPANY MAKES NO OTHER WARRANTIES, EXPRESS OR IMPLIED. THE COMPANY HEREBY SPECIFICALLY DISCLAIMS ALL OTHER WARRANTIES, EXPRESS OR IMPLIED, INCLUDING BUT NOT LIMITED TO THE IMPLIED WARRANTIES OF MERCHANTABILITY AND FITNESS FOR A PARTICULAR PURPOSE.

The remedy described in the first paragraph of this warranty shall constitute the sole and exclusive remedy for breach of warranty, and the Company shall not be responsible for any incidental, special or consequential damages, including without limitation, lost profits or the cost of repairing or replacing other property which is damaged if this product does not work properly, other costs resulting from labor charges, delays, vandalism, negligence, fouling caused by foreign material, damage from adverse water conditions, chemical, or any other circumstances over which the Company has no control. This warranty shall be invalidated by any abuse, misuse, misapplication, improper installation or improper maintenance or alteration of the product.

Some States do not allow limitations on how long an implied warranty lasts, and some States do not allow the exclusion or limitation of incidental or consequential damages. Therefore the above limitations may not apply to you. This Limited Warranty gives you specific legal rights, and you may have other rights that vary from State to State. You should consult applicable state laws to determine your rights. **SO FAR AS IS CONSISTENT WITH APPLICABLE STATE LAW, ANY IMPLIED WARRANTIES THAT MAY NOT BE DISCLAIMED, INCLUDING THE IMPLIED WARRANTIES OF MERCHANTABILITY AND FITNESS FOR A PARTICULAR PURPOSE, ARE LIMITED IN DURATION TO ONE YEAR FROM THE DATE OF ORIGINAL SHIPMENT.**

Kit includes: Disc assembly (includes Disc and Disc Float) and Bonnet O-ring.

Description	Size		Ordering Code No.
	in.	mm	
ARK A100 T	3/4 - 1	20 - 25	7017527
ARK A100 T	1 1/4	32	7017528
ARK A100 T	1 1/2	40	7017529
ARK A100 T	2	50	7017530

Repair Kits

A100 - 3/4" - 2" (20-50mm) designed for potable water systems

Available Model:

RP/IS-A-A100

Series A100

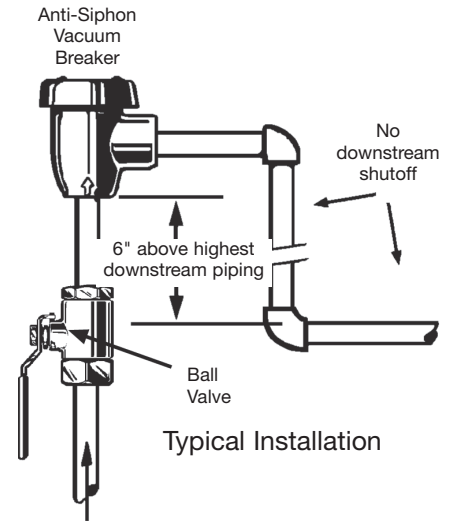
Anti-Siphon Vacuum Breaker

Important: Inquire with governing authorities for local installation requirements.

CALIFORNIA PROPOSITION 65 WARNING
WARNING: This product contains chemicals known to the State of California to cause cancer and birth defects or other reproductive harm. (California law requires this warning to be given to customers in the State of California.)
 For more information: www.watts.com/prop65

Installation

1. Install 6" (150mm) above highest point of downstream piping or hose.
2. No downstream shutoff valves are allowed.
3. Device can spill water; install where spillage is not objectionable.
4. Use only with non-continuous pressure (pressurized a maximum of 12 out of 24 hours).



ASSE Standard 1001

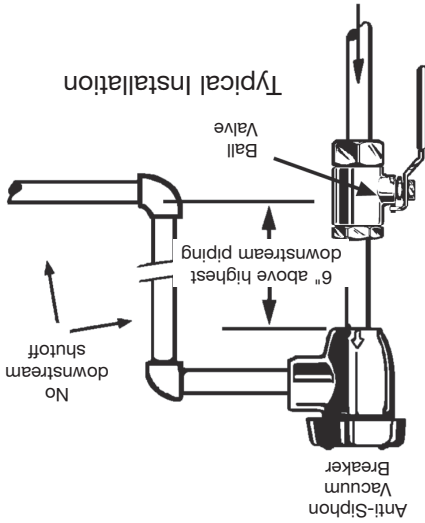


Listed by IAPMO



CSA Certified





Installation

1. Install 6" (150mm) above highest point of downstream piping or hose.
2. No downstream shutoff valves are allowed.
3. Device can spill water; install where spillage is not objectionable.
4. Use only with non-continuous pressure (pressurized a maximum of 12 out of 24 hours).



CALIFORNIA PROPOSITION 65 WARNING
 WARNING: This product contains chemicals known to the State of California to cause cancer and birth defects or other reproductive harm. (California law requires this warning to be given to customers in the State of California.)
 For more information: www.watts.com/propps6

Important: Inquire with governing authorities for local installation requirements.

Series A100 Anti-Siphon Vacuum Breaker

RP/IS-A-A100

Available Model:

A100 – 3/4" – 2" (20-50mm) designed for potable water systems

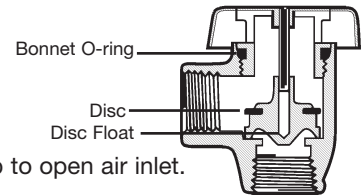
Repair Kits

Description	Size		Ordering Code No.
	in.	mm	
ARK A100 T	3/4 - 1	20 - 25	7017527
ARK A100 T	1 1/4	32	7017528
ARK A100 T	1 1/2	40	7017529
ARK A100 T	2	50	7017530

Kit includes: Disc assembly (includes Disc and Disc Float) and Bonnet O-ring.

Maintenance

1. Remove hood screws and lift off hood.
2. Turn off supply pressure and observe float drop to open air inlet.
3. If this does not occur or valve has been constantly discharging remove bonnet.
4. Replace bonnet (seat) and float.
5. Reassemble (using lubricant sparingly on bonnet O-ring) and restore pressure.
6. Retest using steps 1 and 2.



Limited Warranty: Ames Fire & Waterworks (the "Company") warrants each product to be free from defects in material and workmanship under normal usage for a period of one year from the date of original shipment. In the event of such defects within the warranty period, the Company will, at its option, replace or recondition the product without charge.

THE WARRANTY SET FORTH HEREIN IS GIVEN EXPRESSLY AND IS THE ONLY WARRANTY GIVEN BY THE COMPANY WITH RESPECT TO THE PRODUCT. THE COMPANY MAKES NO OTHER WARRANTIES, EXPRESS OR IMPLIED. THE COMPANY HEREBY SPECIFICALLY DISCLAIMS ALL OTHER WARRANTIES, EXPRESS OR IMPLIED, INCLUDING BUT NOT LIMITED TO THE IMPLIED WARRANTIES OF MERCHANTABILITY AND FITNESS FOR A PARTICULAR PURPOSE.

The remedy described in the first paragraph of this warranty shall constitute the sole and exclusive remedy for breach of warranty, and the Company shall not be responsible for any incidental, special or consequential damages, including without limitation, lost profits or the cost of repairing or replacing other property which is damaged if this product does not work properly, other costs resulting from labor charges, delays, vandalism, negligence, fouling caused by foreign material, damage from adverse water conditions, chemical, or any other circumstances over which the Company has no control. This warranty shall be invalidated by any abuse, misuse, misapplication, improper installation or improper maintenance or alteration of the product.

Some States do not allow limitations on how long an implied warranty lasts, and some States do not allow the exclusion or limitation of incidental or consequential damages. Therefore the above limitations may not apply to you. This Limited Warranty gives you specific legal rights, and you may have other rights that vary from State to State. You should consult applicable state laws to determine your rights. **SO FAR AS IS CONSISTENT WITH APPLICABLE STATE LAW, ANY IMPLIED WARRANTIES THAT MAY NOT BE DISCLAIMED, INCLUDING THE IMPLIED WARRANTIES OF MERCHANTABILITY AND FITNESS FOR A PARTICULAR PURPOSE, ARE LIMITED IN DURATION TO ONE YEAR FROM THE DATE OF ORIGINAL SHIPMENT.**



www.amesfirewater.com

