

Job Name _____

Contractor _____

Job Location _____

Approval _____

Engineer _____

Contractor's P.O. No. _____

Approval _____

Representative _____

Series 1000DCV, 1005DCV, 1010DCV

Detector Check Valves

Sizes: 4" – 10" (100 – 250mm)

Series 1000DCV Detector Check Valves detect any leakage or unauthorized use of water from fire or automatic sprinkler systems. Series 1000DCV are designed to protect drinking water supplies from dangerous cross-connections in accordance with national plumbing codes and water authority requirements for non-potable service applications such as irrigation, fire line, or industrial processing. During times of minimal water flow, the valve clapper remains closed so that the water flows through a bypass meter (optional). When fire flow is required, the water demand will open the clapper to allow full water flow.

Features

- Fabricated steel body provides a much lighter weight unit than cast steel or ductile iron
- Approved for mounting in horizontal or vertical positions
- Prevents backflow from fire prevention systems
- Used to isolate fire systems from public main during pumper boost of fire system
- Ames-Guard™ epoxy coating is rust resistant and impervious to most chemicals

Specifications

A Detector Check Valve shall be installed on fire protection or automatic sprinkler systems when connected to the potable water supply. The valve body shall be formed, welded units, in heavy steel. The valve shall be hydrostatically tested in excess of 700 psi (48 bar). Valve construction shall eliminate any possibility of defects such as sand pits and blow holes which may occur in casting. All linkage parts shall be stainless steel. The removable clapper seat ring should be bronze. Each valve shall be individually tested before shipping. Valves shall be fusion bonded epoxy coated in accordance with AWWA C550. Valve shall be an Ames Fire & Waterworks Series 1000DCV.

NOTICE

The information contained herein is not intended to replace the full product installation and safety information available or the experience of a trained product installer. You are required to thoroughly read all installation instructions and product safety information before beginning the installation of this product.

Ames Fire & Waterworks product specifications in U.S. customary units and metric are approximate and are provided for reference only. For precise measurements, please contact Ames Fire & Waterworks Technical Service. Ames Fire & Waterworks reserves the right to change or modify product design, construction, specifications, or materials without prior notice and without incurring any obligation to make such changes and modifications on Ames Fire & Waterworks products previously or subsequently sold.



1000DCV



1005DCV



1010DCV

Available Models

1000DCV – 4"–10" (100–250mm)

125# flanged end connections

1005DCV – 4"–6" (100–150mm)

125# flanged x grooved end connections

1010DCV – 4"–6" (100–150mm) grooved x grooved end connections with bypass specify suffix:

CFM – cubic feet per minute meter

GPM – gallons per minute meter

LM – without meter

Standard units are less bypass

Materials

Body: fabricated steel

Knuckle Joint Assembly: stainless steel linkage

Seat: Bronze ASTM B63-82

Pressure – Temperature

Maximum Working Pressure: 175 psi (12.1 bar)

Temperature Range: 33°F – 110°F (0.5°C – 43°C)



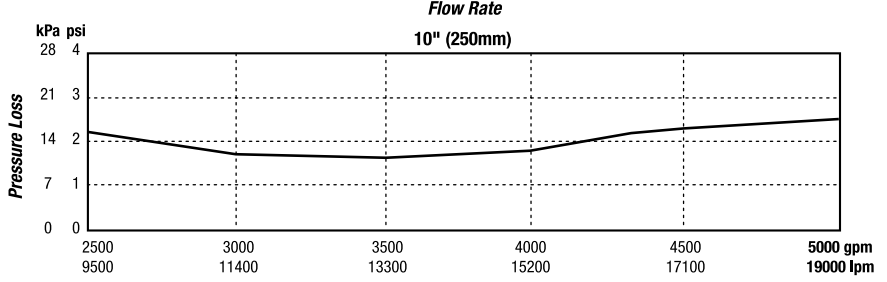
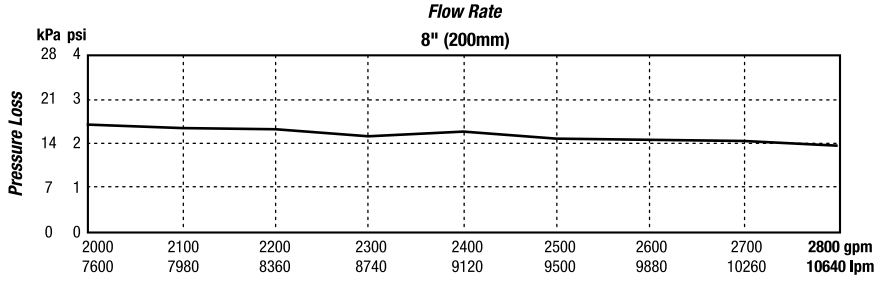
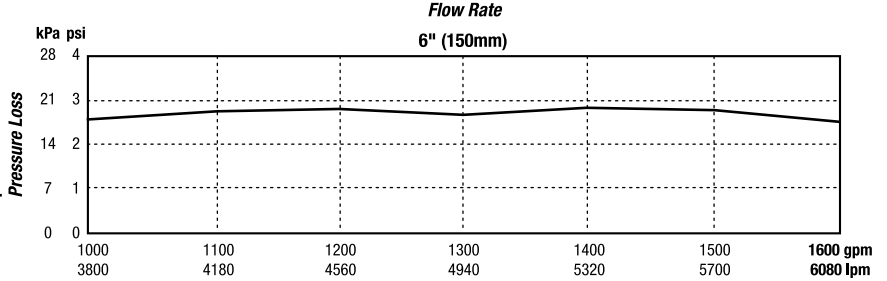
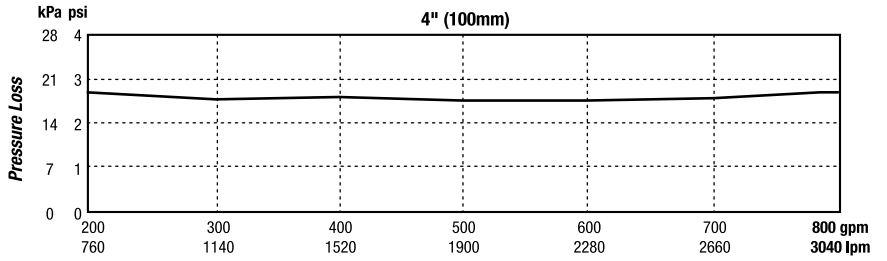
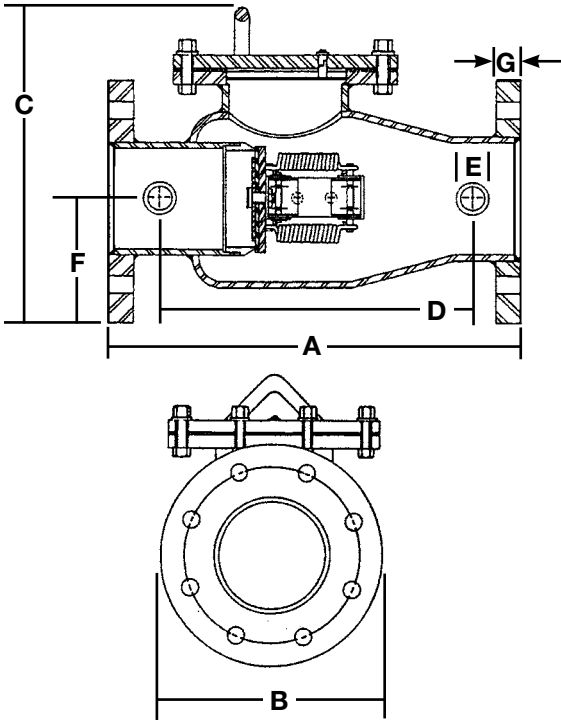
Approvals



Flange bolt pattern and hole diameter in accordance with ANSI B16.5 Class 125/AWWA C207 Class D

Body nameplate provides nominal size, direction of flow, PSI rating, year of manufacture and approval marks

Dimensions – Weights



SIZE (DN)		DIMENSIONS										WEIGHT					
in.	mm	A		B		C		D		E		F		G		lb.	kg
4	100	16½	419	9	229	12½	318	12⅝	308	1 NPT	25	4½	114	5⅞	16	60	27
6	150	22½	559	11	279	15⅞	384	17	432	1½ NPT	38	5½	140	1⅞	17	96	74
8	200	26½	665	13½	343	17¾	450	21	533	2 NPT	51	6¾	171	1⅞	17	154	70
10	250	36	914	16	406	21	533	28	711	2 NPT	51	8	203	1⅞	17	179	81

Consult factory for 1005DCV and 1010DCV dimensions.

WARNING

It is illegal to use this product in any plumbing system providing water for human consumption, such as drinking or dishwashing, in the United States. Before installing standard material product, consult your local water authority, building and plumbing codes.

NOTICE

Inquire with governing authorities for local installation requirements



A WATTS Brand

USA: Backflow Tel: (978) 689-6066 • Fax: (978) 975-8350 • AmesFireWater.com
 USA: Control Valves Tel: (713) 943-0688 • Fax: (713) 944-9445 • AmesFireWater.com
 Canada: Tel: (905) 332-4090 • Fax: (905) 332-7068 • AmesFireWater.ca
 Latin America: Tel: (52) 81-1001-8600 • AmesFireWater.com