



Job Name _____

Contractor _____

Job Location _____

Approval _____

Engineer _____

Contractor's P.O. No. _____

Approval _____

Representative _____

Tub Spout

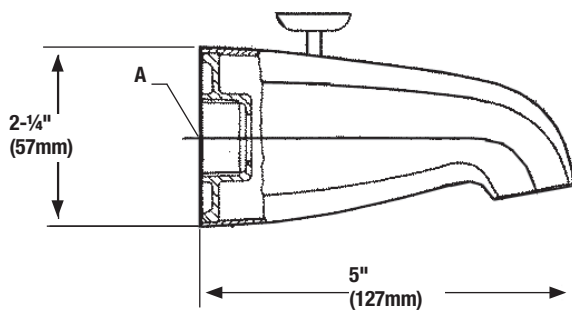
Part No. 141-159; Part No. 141-350

Specifications

Description Diverter Spout
 Material Brass
 Finish Chrome Plated
 Agency/Spec Approval Meet the requirements of:
 ANSI A112.18.1M
 CSA B125
 Shipping Weight 141-350 - 1.3 lbs (0.6 kg)
 141-159 - 1.2 lbs (0.5 kg)



Dimensions



Indicate Desired Fitting

3	Part Number	Type	A
<input type="checkbox"/>	141-350	T	1/2" IPS
<input type="checkbox"/>	141-159	Q	3/4" IPS

Powers product specifications in U.S. customary units and metric are approximate and are provided for reference only. For precise measurements, please contact Powers Technical Service. Powers reserves the right to change or modify product design, construction, specifications, or materials without prior notice and without incurring any obligation to make such changes and modifications on Powers products previously or subsequently sold.

USA: Tel: (800) 669-5430 • Fax: (847) 229-0526 • PowersControls.com
Canada: Tel: (905) 332-4090 • Fax: (905) 332-7068 • PowersControls.ca
Latin America: Tel: (52) 81-1001-8600 • PowersControls.com

POWERS™
 A WATTS Brand