

Job Name _____

Contractor _____

Job Location _____

Approval _____

Engineer _____

Contractor's P.O. No. _____

Approval _____

Representative _____

HydroPanel®II

Modular Shrouding System

Description

With the Powers HydroPanel®II Modular Shrouding System you can specify standardized shrouding panels to cover all shower room piping, without the expense of customized components. By using the Powers specification charts, you coordinate different sizes of the five panel types, based on the dimensions of your shower room. The modular components promote easy installation and fast delivery. All HydroPanel®II Modular Shrouding is stainless steel and utilizes vandal resistant fasteners with standard heads.

The basic shrouding components are: **Adapters** that fit over key junctions (see below) in the room piping; **Overlay pieces** that overlap other pieces to cover the piping between them; **Extensions** that horizontally or vertically extend the reach of an Adapter; and, **End Caps** that close off a piping run.

Key junctions include places where the piping changes direction: HydroPanel®II units, 90° piping bends, corners and end-of-runs. Shrouding specification for any shower room depends on the distances between these key junctions. Use the grid on page 6 to layout the dimensions of your shower room; then use the tables on pages 2 and 3 (pages 4 and 5 for metric) to specify the components. Below is an example layout; see page 7 for details on its specification.

Features

- **Horizontal Adapters (A)** cover piping that changes direction from a horizontal to a vertical run, e.g., at a HydroPanel®II shower unit or where the piping turns toward the ceiling. A cutout section along the side of each Horizontal Adapter fits over the piping "bend". The Powers system specifies 16" (405mm) Adapters (with end cap) to fit over piping bends or HydroPanel®II units at the end of a piping run (see example).
- **Corner Adapters (C)** are 10" (255mm) long and have a cutout on one side to allow the piping to turn a corner. Each room corner requires only one corner shrouding panel. The open end of the Corner Adapter fits against one wall, and a specified piece of Overlay shrouding overlaps the cutout from the adjacent wall (at a 90° angle).
- **Overlay Shrouding (O)** covers the space between a pair of Adapters or Extensions, or a wall with either. Overlays are slightly deeper than Adapters and Extensions in order to fit over them. In general, the HydroPanel®II Modular System specifies Overlays to overlap other components about 1" (25mm) on a side.
- **Shrouding Extensions (E)** Extensions fit into the cutout section of a Horizontal Adapter to turn a horizontal run toward the ceiling. They can also fit on top of a HydroPanel®II unit for vertical-only runs (see inset). An Overlay covers the space between an Extension and the ceiling. Extensions can fit onto a side of an Adapter (with an End Cap) to satisfy room dimensions not specified by the charts.
- **End Caps** come with 16" (405mm) Horizontal Adapter kits, or in speciality kits. These end panels attach to a side of a Horizontal Adapter to close off a piping run (as shown), or act as a gasket for an Extension.

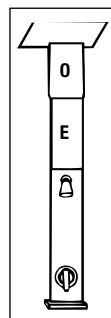
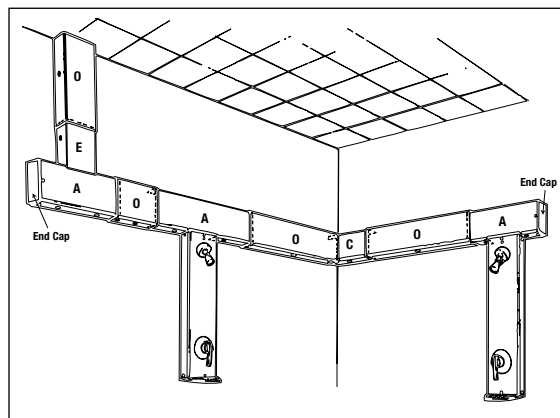
Sizing

Use the tables on the next pages as guidelines for specifying shrouding components. The HydroPanel®II Shrouding System has built-in flexibility, so more than one specification may apply to any dimension.

Choose the HydroPanel®II Shrouding that best fits the job specifications.

Guidelines

1. Use one Horizontal Adapter over each HydroPanel®II unit or Horizontal/Vertical piping junction.
2. Overlay shrouding fits between Adapters and/or Extensions. Each wall corner requires one Corner Adapter that meets in the corner with one Overlay.
3. Extensions lengthen Adapters, or HydroPanel®II units, toward the ceiling. Utilize Extensions as needed to suit shower room dimensions not specified in these general charts.
4. For "borderline" dimensions (31", 34", 38" etc) choose the smaller specified shrouding.

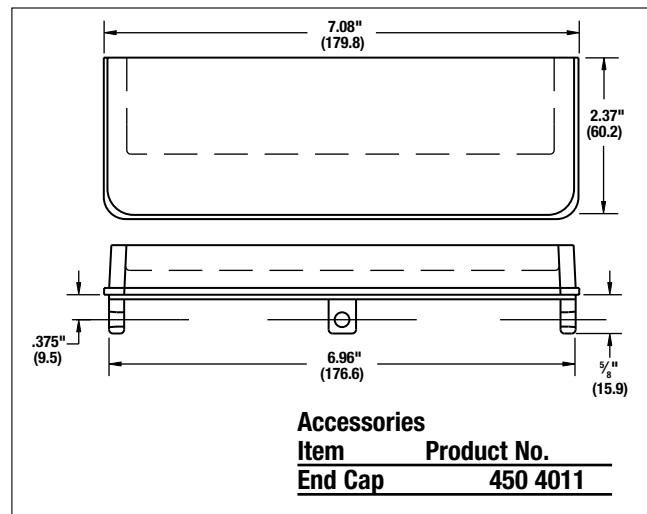
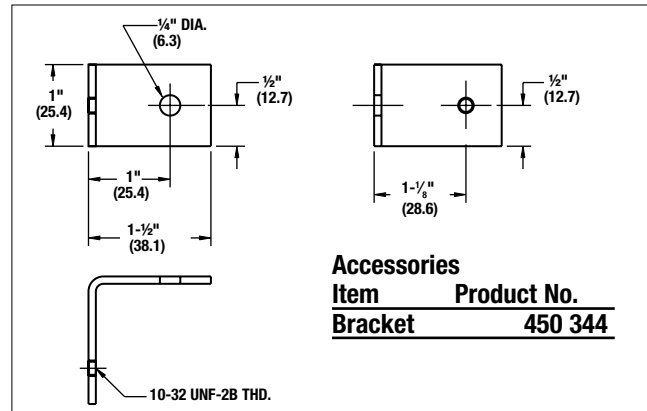
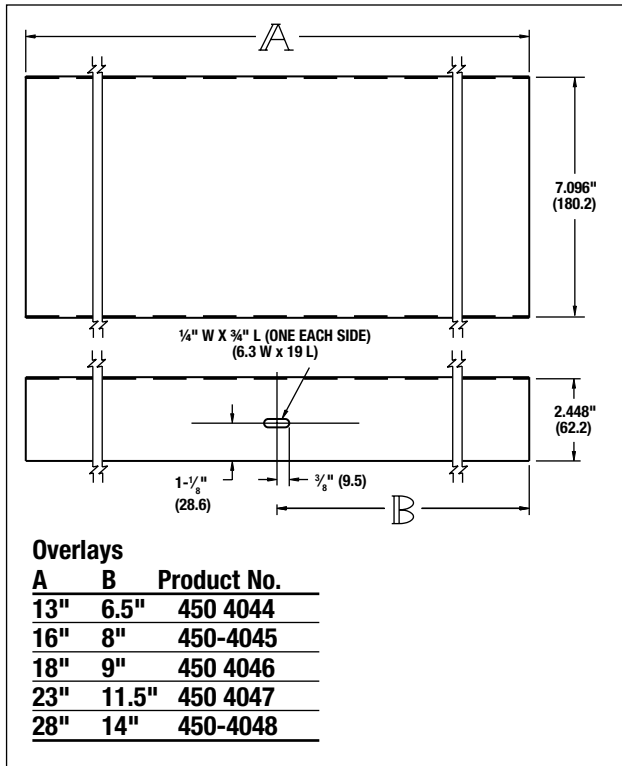


Installation

I. Horizontal Shrouding — HydroPanel®II unit to HydroPanel®II unit				
Condition	For this distance between centerlines	Use this Horizontal Adapter on one...	and this Horizontal Adapter on the other...	...with this Overlay between them
For average spacing between two HydroPanel®II units (36" recommended standard)	26" to 31"			8"
	31" to 34"			13"
	34" to 38"	24"	24"	16"
	38" to 41"			18"
	41" to 46"			23"
For shorter spacing between shower units	46" to 50"			28"
	18" to 23"	16"	16"	8"
	23" to 28"			13"
For spacing greater than 50"	28" to 33"			18"
	50" to 55"			8"
	55" to 60"	48"	48"	13"
	60" to 65"			18"
	65" to 70"			23"
	70" to 75"			28"
II. Horizontal Shrouding — Vertical run to HydroPanel®II unit				
Condition	For this distance between centerlines	Use this Horizontal Adapter on one...	and this Horizontal Adapter on the other...	...with this Overlay between them
Converting a vertical piping run to a short horizontal run	18" to 23"	16"	16"	8"
	23" to 28"			13"
Converting a vertical run to a standard horizontal run	28" to 33"			18"
	22" to 27"			8"
	27" to 32"	16"	24"	13"
	32" to 37"			18"
	37" to 42"			23"
Converting from a smaller horizontal run to one greater than 50"	42" to 47"			28"
	38" to 43"			8"
	43" to 48"	24"	48"	13"
	48" to 53"			18"
Converting from a vertical piping run to a horizontal run greater than 50"	53" to 58"			23"
	58" to 63"			28"
	34" to 39"			8"
	39" to 44"	16"	48"	13"
	44" to 49"			18"
	49" to 54"			23"
	54" to 59"			28"
III. Corner Shrouding — into a corner				
Condition	For this distance between centerline and the wall	Use this Horizontal Adapter...	...with this Corner Adapter...	...and this Overlay between them
Going into a corner from a piping turn or HydroPanel®II unit	20" to 25"			8"
	25" to 30"	16"	10"	13"
	30" to 35"			18"
	35" to 40"			23"
	40" to 45"			28"
	24" to 29"			8"
	29" to 34"	24"	10"	13"
	34" to 39"			18"
	39" to 44"			23"
	44" to 49"			28"
	49" to 51"	48"	10"	18"
	51" to 56"			23"
IV. Corner Shrouding — out of a corner				
Condition	For this distance between the wall and the centerline	Use this Horizontal Adapter...	...and this Overlay to the Corner Adapter	
Coming out of a corner already fitted with a Corner Adapter to a piping turn or HydroPanel®II unit (Corner Adapter extends 2.4" from mounting wall)	17" to 21- ⁷ / ₈ "			8"
	21- ⁷ / ₈ " to 26- ⁷ / ₈ "		24"	13"
	26- ⁷ / ₈ " to 31- ⁷ / ₈ "			18"
	31- ⁷ / ₈ " to 36- ⁷ / ₈ "			23"
	36- ⁷ / ₈ " to 41- ⁷ / ₈ "			28"
	29" to 33- ⁷ / ₈ "			8"
	33- ⁷ / ₈ " to 38- ⁷ / ₈ "		48"	13"
	38- ⁷ / ₈ " to 42- ⁷ / ₈ "			18"
	42- ⁷ / ₈ " to 47- ⁷ / ₈ "			23"
	47- ⁷ / ₈ " to 52- ⁷ / ₈ "			28"

V. Vertical Shrouding — to the ceiling				
Condition	For this distance from the ceiling to the a) inset of the Horizontal Adapter OR b) top of the shower unit		...with this Overlay Choose this Extension...	to the ceiling
From HydroPanel®II unit or Horizontal Adapter to the ceiling (see pp. 7-8, Examples 4a & 4b.)	9-½" to 14"		6"	8"
	14" to 19"			13"
	19" to 24"			18"
	24" to 29"			23"
	29" to 34"			28"
	34" to 41"		24"	18"
	41" to 46"			23"
	46" to 51"			28"
II. Horizontal Shrouding — Vertical run to HydroPanel®II unit				
Condition	For this distance between centerlines	Use this Horizontal Adapter on one...	and this Horizontal Adapter on the other...	...with this Overlay between them
Converting a vertical piping run to a short horizontal run	18" to 23"	16"	16"	8"
	23" to 28"			13"
	28" to 33"			18"
Converting a vertical run to a standard horizontal run	22" to 27"			8"
	27" to 32"	16"	24"	13"
	32" to 37"			18"
	37" to 42"			23"
	42" to 47"			28"
Converting from a smaller horizontal run to one greater than 50"	38" to 43"			8"
	43" to 48"	24"	48"	13"
	48" to 53"			18"
	53" to 58"			23"
	58" to 63"			28"
Converting from a vertical piping run to a horizontal run greater than 50"	34" to 39"			8"
	39" to 44"	16"	48"	13"
	44" to 49"			18"
	49" to 54"			23"
	54" to 59"			28"
III. Corner Shrouding — into a corner				
Condition	For this distance between centerline and the wall	Use this Horizontal Adapter...	...with this Corner Adapter...	...and this Overlay between them
Going into a corner from a piping turn or HydroPanel®II unit	20" to 25"			8"
	25" to 30"			13"
	30" to 35"	16"	10"	18"
	35" to 40"			23"
	40" to 45"			28"
	24" to 29"			8"
	29" to 34"	24"	10"	13"
	34" to 39"			18"
	39" to 44"			23"
	44" to 49"			28"
	49" to 51"	48"	10"	18"
	51" to 56"			23"
IV. Corner Shrouding — out of a corner				
Condition	For this distance between the wall and the centerline		Use this Horizontal Adapter...	...and this Overlay to the Corner Adapter
Coming out of a corner already fitted with a Corner Adapter to a piping turn or HydroPanel®II unit (Corner Adapter extends 2.4" from mounting wall)	17" to 21- ⁷ / ₈ "			8"
	21- ⁷ / ₈ " to 26- ⁷ / ₈ "		24"	13"
	26- ⁷ / ₈ " to 31- ⁷ / ₈ "			18"
	31- ⁷ / ₈ " to 36- ⁷ / ₈ "			23"
	36- ⁷ / ₈ " to 41- ⁷ / ₈ "			28"
	29" to 33- ⁷ / ₈ "			8"
	33- ⁷ / ₈ " to 38- ⁷ / ₈ "		48"	13"
	38- ⁷ / ₈ " to 42- ⁷ / ₈ "			18"
	42- ⁷ / ₈ " to 47- ⁷ / ₈ "			23"
	47- ⁷ / ₈ " to 52- ⁷ / ₈ "			28"

Dimensions



Ordering Information

Qty	Description	Size	(Metric)	Order Code
	Horizontal Adapter Kit	16"	405mm	450 4040
	Horizontal Adapter Kit	24"	610mm	450 4041
	Horizontal Adapter Kit	48"	1220mm	450 4042
	Overlay Shroud Kit	8"	205mm	450 4043
	Overlay Shroud Kit	13"	330mm	450 4044
	Overlay Shroud Kit	16"	405mm	450 4045
	Overlay Shroud Kit	18"	455mm	450 4046
	Overlay Shroud Kit	23"	585mm	450 4047
	Overlay Shroud Kit	28"	710mm	450 4048
	Corner Adapter Kit	10"	255mm	450 4049
	Extension Shroud Kit	6"	150mm	450 4050
	Extension Shroud Kit	24"	610mm	450 4051
	End Cap Kit	6"		450 4011
	Bracket Kit	6"		450 3340

Each HydroPanel®II Modular Shrouding Corner Adapter, 13", 16", 18", 23", or 28" Overlay, or Extension Kit comes complete with stainless steel panel, and (2) mounting brackets with (2) screws. Each Horizontal Adapter or 8" Overlay Kit comes complete with stainless steel panel and (4) mounting brackets with (4) screws.

The 16" Horizontal Adapter Kit also includes an End Cap kit. The End Cap Kit comes complete with (1) chrome plated end cap and (3) mounting screws.

POWERS™

A WATTS Brand

USA: Tel: (800) 669-5430 • Fax: (847) 229-0526 • PowersControls.com
 Canada: Tel: (905) 332-4090 • Fax: (905) 332-7068 • PowersControls.ca
 Latin America: Tel: (52) 81-1001-8600 • PowersControls.com