

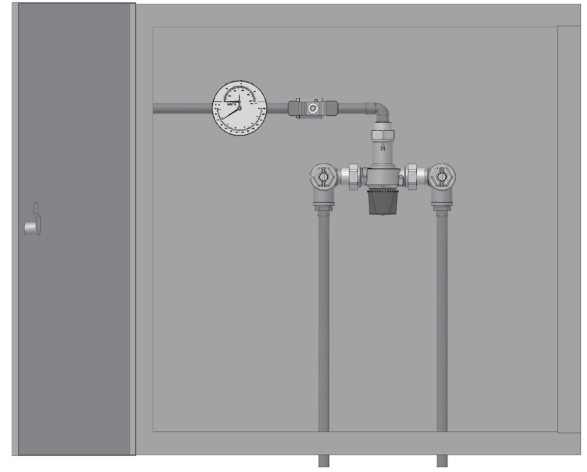
Job Name _____
 Job Location _____
 Engineer _____
 Approval _____

Contractor _____
 Approval _____
 Contractor's P.O. No. _____
 Representative _____

LEAD FREE*

HydroGuard® Master Tempering Valve Supply Fixture

Series LFLM490 Bottom Inlets/Side Outlet – Wall Mounted Cabinet



Features

- Features Lead Free* construction to comply with Lead Free* installation requirements.
- Paraffin-based advanced thermal actuation technology to sense and adjust outlet temperature
- Dirt and lime resistant poppet and seat design
- Virtual shutoff if supply pressure fails
- Factory tested valve and piping
- Stainless steel or white painted cabinets
- Triple-duty checkstops with filters, dial-thermometer, ball valve
- Rough bronze and chrome finishes



Advanced Thermal Activation

Specifications

Connections ½" (15mm) inlets and outlet
 Maximum Hot Water Supply Temperature 200°F (93°C)
 Minimum Hot Water Supply Temperature 5°F (3°C) above set point
 Minimum Flow** 0.5 gpm (1.9 lpm)
 Maximum Operating Pressure 150 psi (1034 kPa)
 Temperature Adjustment Range 90 – 160°F (32 – 71°C)
 Listing/Compliance (Valve Only) ASSE 1017, CSA B125

* The wetted surface of this product contacted by consumable water contains less than one quarter of one percent (0.25%) of lead by weight.

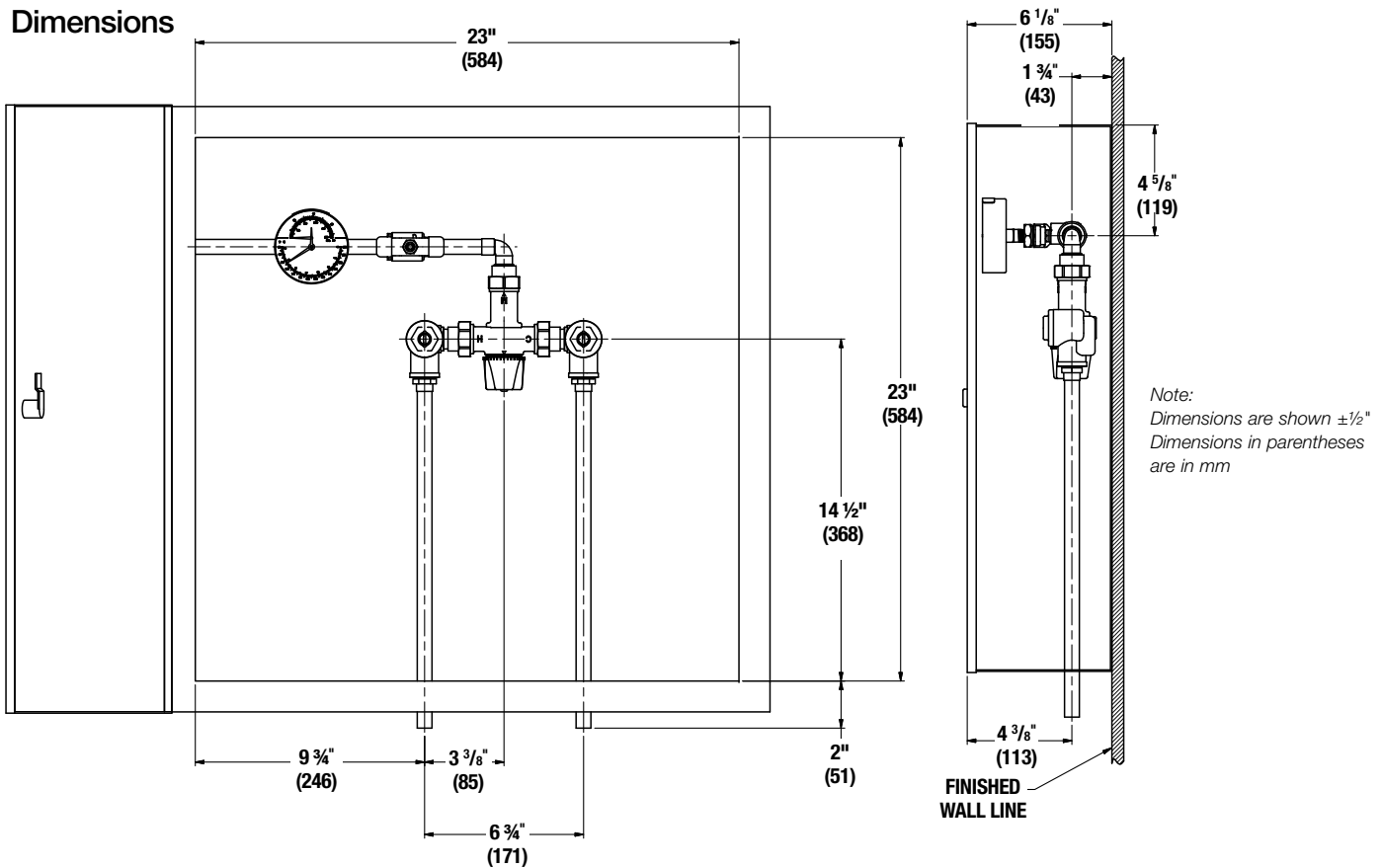
** When tested in accordance with ASSE 1017

Capacity

Flow Capacity at 50-50 Mixed Ratio							
		Pressure Drop Across Valve					
Valve	C _v	5 psi (35 kPa)	10 psi (69 kPa)	20 psi (138 kPa)	30 psi (207 kPa)	45 psi (310 kPa)	60 psi (414 kPa)
LFLM490	3.42	7.6 gpm (29 lpm)	11.0 gpm (42 lpm)	15.0 gpm (57 lpm)	19.0 gpm (72 lpm)	23.0 gpm (87 lpm)	27.0 gpm (102 lpm)

Powers product specifications in U.S. customary units and metric are approximate and are provided for reference only. For precise measurements, please contact Powers Technical Service. Powers reserves the right to change or modify product design, construction, specifications, or materials without prior notice and without incurring any obligation to make such changes and modifications on Powers products previously or subsequently sold.

Dimensions



Ordering Information

L F L M 4 9 0 G S

Valve	Order Code	View Port	Order Code
23 gpm (87 lpm)	LFLM490	None	0
		Window	W
Finish		Alarm System	
Rough Bronze	A	None	0
Chrome Plated	C	Aqua Sentry® 2 Alarm	4
Piping Inlets/Outlet		Option	
Bottom/Side	G	None	0
		Cold Water Bypass	2
Cabinet Style		T/P Gauge on Inlets	4
Stainless steel, Wall Mount	Q	C/W Bypass & T/P Gauge on Inlets	6
Painted, Wall Mount	U	Temperature Range	
		90°F – 160°F (32°C – 71°C)	S

Typical Specification

Cabinet Supply Fixture (CSF) shall be factory assembled and tested and include a stainless steel or painted steel cabinet. CSF shall feature a HydroGuard® LFLM490 Series Master-Tempering Valve with advanced paraffin-based actuation technology. The valves shall be constructed using Lead Free* brass. Lead Free* brass valves shall comply with state codes and standards, where applicable, requiring reduced lead content. CSF shall also include copper piping, ball valve(s) and temperature/pressure gauge for diagnostics. The tempering valve shall have union checkstops, an outlet temperature range of 90 – 160°F (32 – 71°C) (with lockable means), and an approach temperature of 5°F (3°C). Valve shall be ASSE 1017 listed and CSA certified. Minimum flow to ASSE 1017 shall be 0.5 gpm (1.9 lpm).

Valve shall be a Powers model _____. All alternatives must have written approval prior to bidding.

POWERS™

A WATTS Brand

USA: Tel: (800) 669-5430 • Fax: (847) 229-0526 • PowersControls.com
 Canada: Tel: (905) 332-4090 • Fax: (905) 332-7068 • PowersControls.ca
 Latin America: Tel: (52) 81-1001-8600 • PowersControls.com