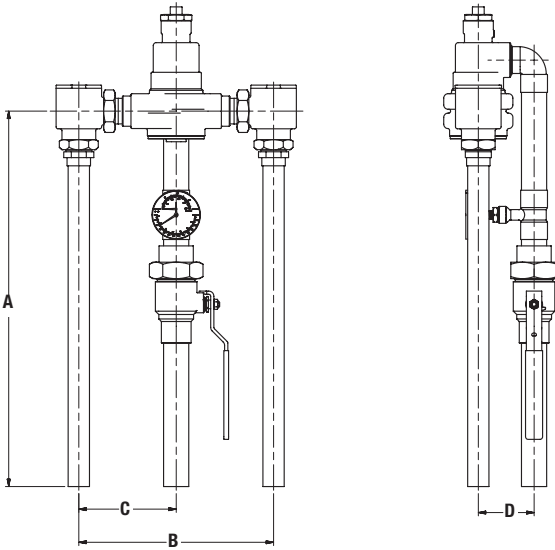




## Dimensions



Valve	A	B	C	D
LFMM431	16-3/4" (425)	9-1/8" (232)	4-1/2" (114)	2-5/8" (67)
LFMM432	16-3/4" (425)	9-1/8" (232)	4-1/2" (114)	2-3/4" (70)
LFMM433	24-1/4" (616)	12-5/8" (321)	6-1/4" (159)	3-3/8" (86)
LFMM434	24-1/4" (616)	12-5/8" (321)	6-1/4" (159)	3-5/8" (92)
LFMM435	27" (686)	15-5/8" (397)	7-7/8" (200)	4-1/4" (108)

Valve	Inlets NPT	Outlet NPT
LFMM431	3/4" (20)	3/4" (20)
LFMM432	3/4" (20)	1" (25)
LFMM433	1-1/4" (32)	1-1/4" (32)
LFMM434	1-1/4" (32)	1-1/2" (40)
LFMM435	2" (50)	2" (50)

Note:  
Dimensions are shown  $\pm 1/2$ "  
Dimensions in parentheses are  
in mm

## Ordering Information



Valve	Order Code
42 gpm (159 lpm)	LFMM431
64 gpm (242 lpm)	LFMM432
110 gpm (416 lpm)	LFMM433
144 gpm (545 lpm)	LFMM434
208 gpm (787 lpm)	LFMM435

Finish	Order Code
Rough Bronze	A
Chrome Plated	C

Piping Inlets/Outlet	Order Code
Bottom/Bottom	F

Cabinet Style	Order Code
None	M

Alarm System	Order Code
None	0
Aqua Sentry® 2 Alarm	4

Option	Order Code
None	0
Cold Water Bypass	2
T/P Gauge on Inlets	4
C/W Bypass & T/P Gauge on Inlets	6

Motor Range	Order Code
90°F – 160°F (32°C – 71°C)	S
60°F – 90°F (16°C – 32°C)	W

## Recirculation Piping Diagram

Please see Piping Diagram Section of this catalog.

## Typical Specification — Supply Fixtures (MM)

Supply Fixture shall be factory assembled and tested and feature a HydroGuard® XP LFMM430 series master-tempering valve with advanced, paraffin-based actuation technology. Supply fixture shall also include copper piping, ball valve(s) and temperature/pressure gauge for diagnostics. The tempering valve shall have union check-stops, an outlet temperature range of 90 – 160°F (32° – 71°C) (with lockable means), a single seat design for positive shutoff and an approach temperature 5°F (3°C). The valves shall be constructed using Lead Free\* brass. Lead Free\* brass valves shall comply with state codes and standards, where applicable, requiring reduced lead content. Valve shall be ASSE 1017 listed and CSA certified. Minimum flows to ASSE 1017 shall be LFMM431 (3.0 gpm, 11 lpm), LFMM432 (4.0 gpm, 15 lpm), LFMM433 (5.0 gpm, 19 lpm), LFMM434 (7.0 gpm, 26 lpm), LFMM435 (10.0 gpm, 38 lpm).

Valve shall be a Powers Model \_\_\_\_\_. All alternatives must have written approval prior to bidding.

# POWERS™

A WATTS Brand

USA: Tel: (800) 669-5430 • Fax: (847) 229-0526 • PowersControls.com  
 Canada: Tel: (905) 332-4090 • Fax: (905) 332-7068 • PowersControls.ca  
 Latin America: Tel: (52) 81-1001-8600 • PowersControls.com