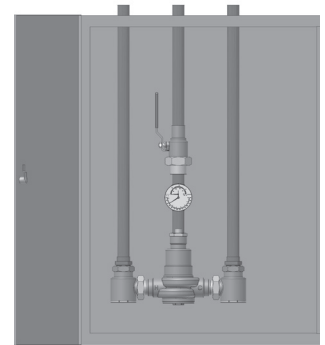


Job Name _____ Contractor _____
 Job Location _____ Approval _____
 Engineer _____ Contractor's P.O. No. _____
 Approval _____ Representative _____

LEAD FREE*

HydroGuard® XP Master Tempering Valves Supply Fixture Series LFMM430 Top Inlets/Top Outlet – Semi-Recessed Cabinet



Advanced Thermal Activation

Features

- Features Lead Free* construction to comply with Lead Free* installation requirements.
- Paraffin-based advanced thermal actuation technology to sense and adjust outlet temperature
- Dirt and lime resistant poppet and seat design
- Virtual shutoff if supply pressure fails
- Vandal-resistant locking mechanism to secure temperature setting
- Stainless steel or white painted cabinets
- Factory tested valve and piping
- Rotatable union triple-duty checkstops with filters, dial-thermometer, ball valve
- Rough bronze and chrome finishes

Specifications

Connections See chart on reverse
 Maximum Hot Water Supply Temperature 200°F (93°C)
 Minimum Hot Water Supply Temperature** 5°F (3°C) above set point
 Minimum Flow*** 0.5 gpm (1.9 lpm)
 Maximum Operating Pressure 125 psi (861 kPa)
 Temperature Adjustment Range**** Standard 90 – 160°F (32 – 71°C)
 Low 60 – 90°F (16 – 32°C)
 Hot Water Inlet Temperature Range 120 – 180°F (49 – 82°C)
 Cold Water Inlet Temperature Range 40 – 80°F (4 – 27°C)
 Listing/Compliance-Valve Only ASSE 1017, CSA B125

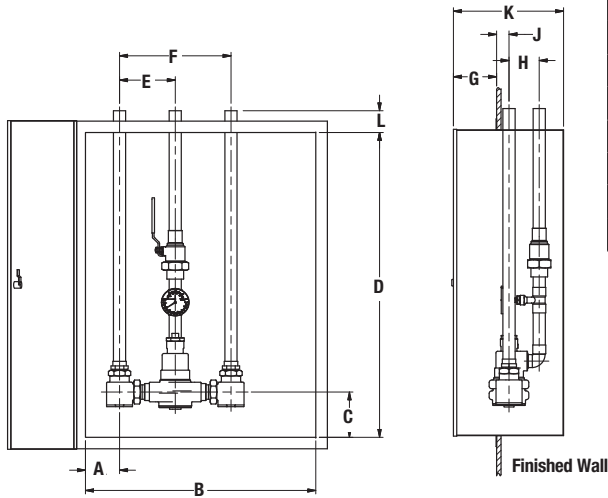
* The wetted surface of this product contacted by consumable water contains less than one quarter of one percent (0.25%) of lead by weight.
 ** With equal pressure
 *** Minimum flow when the valve is installed at or near hot water source w/ recirculated tempered water with a properly sized continuously operating recirculating pump
 **** Note: Low limit cannot be less than cold water temperature. For best operation, hot water should be at least 5°F (3°C) above desired set point.

Capacity

Flow Capacity at 50-50 Mixed Ratio								
Model	Min. Flow to ASSE 1017	Cv	Pressure Drop Across Valve					
			5 psi (34 kPa)	10 psi (69 kPa)	20 psi (138 kPa)	30 psi (207 kPa)	45 psi (310 kPa)	60 psi (414 kPa)
LFMM431	3 gpm	6.32	14 gpm	20 gpm	28 gpm	35 gpm	42 gpm	49 gpm
	11 lpm		53 lpm	76 lpm	106 lpm	132 lpm	159 lpm	185 lpm
LFMM432	4 gpm	9.49	21 gpm	30 gpm	42 gpm	52 gpm	64 gpm	74 gpm
	15 lpm		80 lpm	114 lpm	159 lpm	197 lpm	242 lpm	280 lpm
LFMM433	5 gpm	16.44	37 gpm	52 gpm	74 gpm	90 gpm	110 gpm	127 gpm
	19 lpm		140 lpm	197 lpm	280 lpm	341 lpm	416 lpm	481 lpm
LFMM434	7 gpm	21.50	48 gpm	68 gpm	96 gpm	118 gpm	144 gpm	167 gpm
	26 lpm		182 lpm	257 lpm	363 lpm	447 lpm	545 lpm	632 lpm
LFMM435	10 gpm	31.00	69 gpm	98 gpm	139 gpm	170 gpm	208 gpm	240 gpm
	38 lpm		261 lpm	371 lpm	526 lpm	644 lpm	787 lpm	908 lpm

Powers product specifications in U.S. customary units and metric are approximate and are provided for reference only. For precise measurements, please contact Powers Technical Service. Powers reserves the right to change or modify product design, construction, specifications, or materials without prior notice and without incurring any obligation to make such changes and modifications on Powers products previously or subsequently sold.

Dimensions



Valve	A	B	C	D	E	F	G	H	J	K	L
LFMM431	3-7/8"	20"	4-3/4"	26"	4-5/8"	9-1/4"	3-1/2"	2-5/8"	1-1/8"	9"	2"
	(98)	(508)	(121)	(660)	(117)	(235)	(89)	(67)	(29)	(229)	(51)
LFMM432	3-7/8"	20"	4-3/4"	26"	4-5/8"	9-1/4"	3-1/2"	2-3/4"	1-1/8"	9"	2"
	(98)	(508)	(121)	(660)	(117)	(235)	(89)	(70)	(29)	(229)	(51)
LFMM433	3-7/8"	26"	4-3/4"	34-1/2"	6-1/4"	12-1/2"	4-1/2"	3-3/8"	1-3/8"	12"	2-1/2"
	(98)	(660)	(121)	(876)	(159)	(318)	(114)	(86)	(35)	(305)	(64)
LFMM434	3-7/8"	26"	4-3/4"	34-1/2"	6-1/4"	12-1/2"	4-1/2"	3-5/8"	1-3/8"	12"	2-1/2"
	(98)	(660)	(121)	(876)	(159)	(318)	(114)	(92)	(35)	(305)	(64)
LFMM435	4-1/2"	32"	6-3/8"	42"	7-7/8"	15-5/8"	4"	4-1/4"	2"	13"	2-1/2"
	(114)	(813)	(162)	(1067)	(200)	(397)	(102)	(108)	(51)	(330)	(64)

Note:
Dimensions are shown ±1/2"
Dimensions in parentheses
are in mm

Valve	Inlets	Outlet
LFMM431	3/4" (20)	3/4" (20)
LFMM432	3/4" (20)	1" (25)
LFMM433	1-1/4" (32)	1-1/4" (32)
LFMM434	1-1/4" (32)	1-1/2" (40)
LFMM435	2" (50)	2" (50)

Ordering Information



Valve	Order Code
42 gpm (159 lpm)	LFMM431
64 gpm (242 lpm)	LFMM432
110 gpm (416 lpm)	LFMM433
144 gpm (545 lpm)	LFMM434
208 gpm (787 lpm)	LFMM435

Finish	
Rough Bronze	A
Chrome Plated	C

Piping Inlets/Outlet	
Top/Top	D

Cabinet Style	
Stainless Steel, Semi-Recessed	P
Painted, Semi-Recessed	T

View Port Order Code

None	0
Window	W

Alarm System Order Code

None	0
Aqua Sentry® 2 Alarm	4

Option

None	0
Cold Water Bypass	2
T/P Gauge on Inlets	4
C/W Bypass & T/P Gauge on Inlets	6

Temperature Range

90°F – 160°F (32°C – 71°C)	S
60°F – 90°F (16°C – 32°C)	W

Recirculation Piping Diagram

Please see Piping Diagram Section of this catalog.

Typical Specification — Supply Fixtures (MM)

Cabinet Supply Fixture (CSF) shall be factory assembled and tested and include a stainless steel or painted steel cabinet. CSF shall feature a HydroGuard® XP LFMM430 series master-tempering valve with advanced paraffin-based actuation technology. The valves shall be constructed using Lead Free* brass. Lead Free* brass valves shall comply with state codes and standards, where applicable, requiring reduced lead content. CSF shall also include copper piping, ball valve(s) and temperature/pressure gauge for diagnostics. The tempering valve shall have union checkstops, an outlet temperature range of 90 – 160°F (32 – 71°C) (with lockable means), a single seat design for positive shutoff and an approach temperature of 5°F (3°C). Valve shall be ASSE 1017 listed and CSA certified. Minimum flows to ASSE 1017 shall be LFMM431 (3.0 gpm, 11 lpm), LFMM432 (4.0 gpm, 15 lpm), LFMM433 (5.0 gpm, 19 lpm), LFMM434 (7.0 gpm, 27 lpm), LFMM435 (10.0 gpm, 38 lpm).

Valve shall be a Powers model _____. All alternatives must have written approval prior to bidding.

POWERS™

A WATTS Brand

USA: Tel: (800) 669-5430 • Fax: (847) 229-0526 • PowersControls.com
 Canada: Tel: (905) 332-4090 • Fax: (905) 332-7068 • PowersControls.com
 Latin America: Tel: (52) 81-1001-8600 • PowersControls.com