

**LEAD FREE\***

## Model LFCP15

### Pressure Reducing Pilot

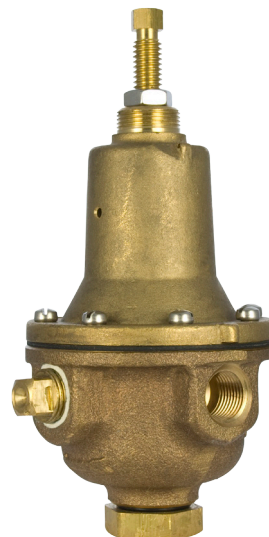
**Size: 3/8" NPT**

The Model LFCP-15 is a direct acting, diaphragm actuated Pilot that automatically reduces a higher upstream (inlet) pressure to a constant downstream (outlet) pressure. It is normally held open by the force of the adjustable spring setting above the diaphragm.

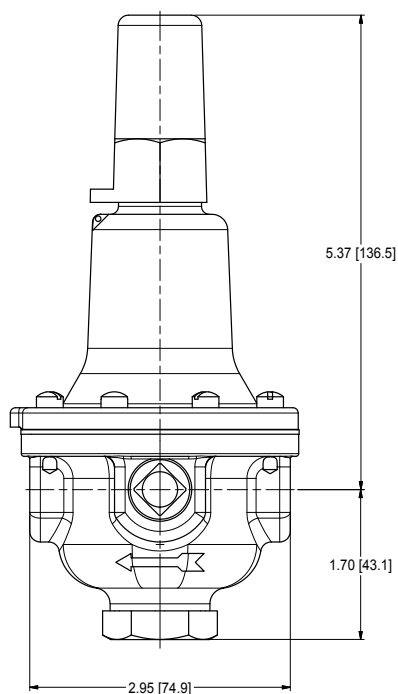
The Pilot modulates towards a closed position when outlet pressure exceeds the spring setpoint, lowering the delivery pressure. It modulates towards an open position when the outlet pressure falls below the spring setpoint, increasing the delivery pressure.

When a Model LFCP-15 is installed in the piping circuit of an Automatic Control Valve, its throttling action causes the Main Valve to throttle open or closed accordingly. Turning the adjustment screw clockwise raises the control setpoint, increasing main valve outlet pressure. Turning the adjustment screw counterclockwise lowers the control setpoint, decreasing Main Valve outlet pressure.

The Model LFCP-15 is equipped with one 3/8" NPT inlet and two outlet ports for ease of installation. The unused outlet port may be plugged or used as a pressure gauge connection.



Model LFCP15



### Specifications

<b>Body Material:</b>	Lead Free Copper Silicon Alloy CF8M (316) Stainless Steel (optional)
<b>Seat:</b>	316 Stainless Steel
<b>Elastomers:</b>	Buna-N (standard) Viton (optional) EPDM (optional)
<b>Inlet Pressure Rating:</b>	400psi (27.6 bar) maximum
<b>Adjustment Range:</b>	30-300psi (2.1 - 20.7 bar) (standard) 2-30psi (0.15-2 bar) (optional)

Viton® is a registered trademark of DuPont Dow Elastomers.

\*The wetted surface of this product contacted by consumable water contains less than 0.25% of lead by weight.

#### NOTICE

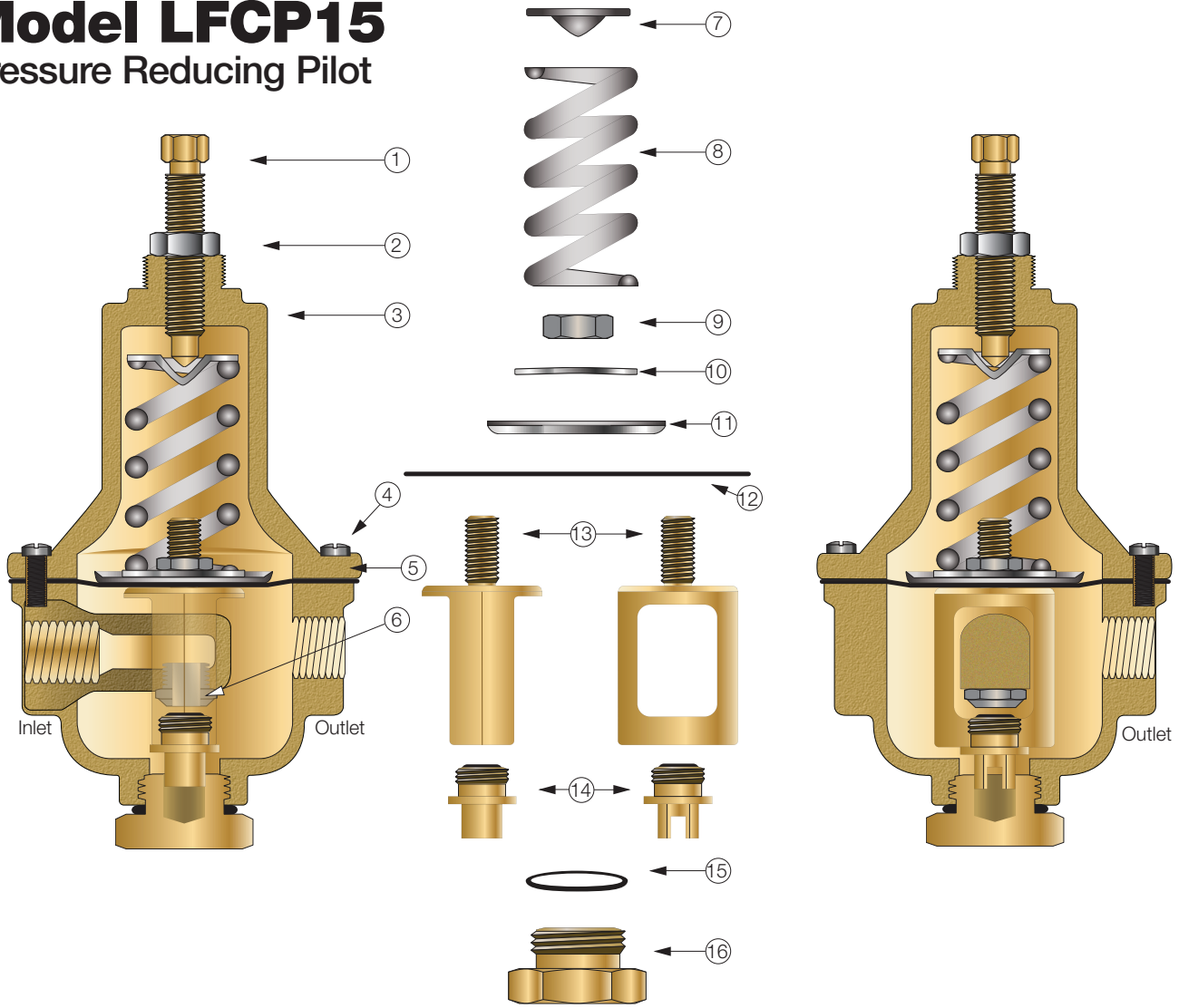
The information contained herein is not intended to replace the full product installation and safety information available or the experience of a trained product installer. You are required to thoroughly read all installation instructions and product safety information before beginning the installation of this product.

Watts product specifications in U.S. customary units and metric are approximate and are provided for reference only. For precise measurements, please contact Watts Technical Service. Watts reserves the right to change or modify product design, construction, specifications, or materials without prior notice and without incurring any obligation to make such changes and modifications on Watts products previously or subsequently sold.



# LEAD FREE\*

## Model LFCP15 Pressure Reducing Pilot



Item	Description
1	Adjusting Screw
2	Nut
3	Spring Housing
4	Cap Screw
5	Body
6	Seat
7	Spring Guide
8	Spring
9	Nut
10	Belleville Washer
11	Diaphragm Washer
12	Diaphragm*
13	Yoke
14	Disc and Retainer Assembly*
15	O-Ring*

\*Included in Repair Kit

USA: T: (978) 689-6066 • F: (978) 975-8350 • Watts.com  
 Canada: T: (905) 332-4090 • F: (905) 332-7068 • Watts.ca  
 Latin America: T: (52) 81-1001-8600 • F: (52) 81-8000-7091 • Watts.com