

Engineering Specification

Job Name _____

Contractor _____

Job Location _____

Approval _____

Engineer _____

Contractor's P.O. No. _____

Approval _____

Representative _____

FD-1200

Floor Drain with Stainless Steel Strainer for Non-Membrane Areas

Specification

Watts FD-1200 fusion-bonded, powder epoxy coated cast iron floor drain with anchor flange, weepholes and adjustable round Type 304 cast stainless steel strainer.

Call customer service if you need assistance with technical details.

PIPE SIZING	
SUFFIX	DESCRIPTION
2	2"(51) Pipe Size <input type="checkbox"/>
3	3"(76) Pipe Size <input type="checkbox"/>
4	4"(102) Pipe Size <input type="checkbox"/>

OUTLET TYPE	
SUFFIX	DESCRIPTION
NH	No Hub (MJ) <input type="checkbox"/>
P	Push On <input type="checkbox"/>
T	Threaded Outlet <input type="checkbox"/>
X	Inside Caulk <input type="checkbox"/>

STRAINER	
SUFFIX	DESCRIPTION
5-3	5"(127) Dia. SS <input type="checkbox"/>
6-3	6"(152) Dia. SS <input type="checkbox"/>

OPTIONAL BODY MATERIAL	
SUFFIX	DESCRIPTION
-60	PVC Body w/Socket Outlet <input type="checkbox"/>
-61	ABS Body w/Socket Outlet <input type="checkbox"/>

OPTIONS	
SUFFIX	DESCRIPTION
-5	Sediment Bucket <input type="checkbox"/>
-6	Vandal Proof <input type="checkbox"/>
-8	Backwater Valve (3" & 4" only) <input type="checkbox"/>
-10	Secured Top c/w Phillips Screws <input type="checkbox"/>
-13	Galvanized Body <input type="checkbox"/>
-15	Strainer Extension (DD-50) <input type="checkbox"/>
-28	All Stainless Steel <input type="checkbox"/>
-113M	Special Epoxy from 3M Range <input type="checkbox"/>
F4-3	4" Dia. SS Bolt on Funnel <input type="checkbox"/>
G-3	4 x 9 SS Bolt on Funnel <input type="checkbox"/>

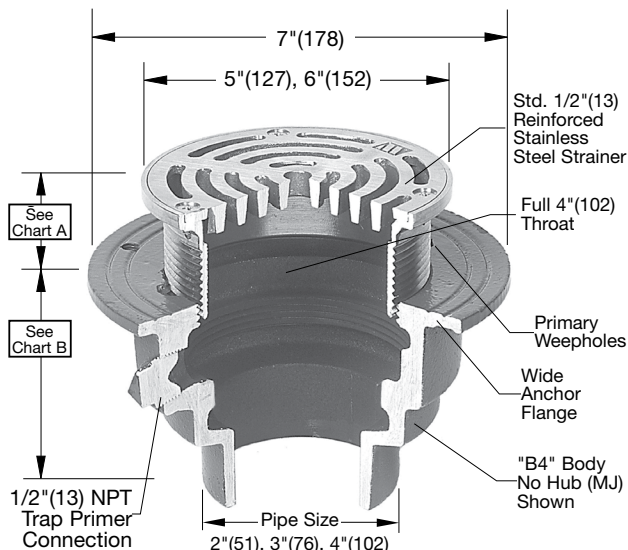


Chart A

STR. DIA	MIN	MAX.	LOAD RATING	FREE AREA SQ. IN.
5"(127)	7/16"(11)	1 5/8"(41)	*XHD	8
6"(152)	5/8"(16)	1 7/8"(48)	*XHD	9

Chart B

PIPE SIZE	STD. NO HUB	P PUSH ON	60/61 PVC/ABS
2"(51)	3"(76)	4"(102)	4"(102)
3"(76)	3"(76)	4"(102)	3 3/4"(95)
4"(102)	3"(76)	4"(102)	3 3/4"(95)

NOTICE

The information contained herein is not intended to replace the full product installation and safety information available or the experience of a trained product installer. You are required to thoroughly read all installation instructions and product safety information before beginning the installation of this product.

Watts product specifications in U.S. customary units and metric are approximate and are provided for reference only. For precise measurements, please contact Watts Technical Service. Watts reserves the right to change or modify product design, construction, specifications, or materials without prior notice and without incurring any obligation to make such changes and modifications on Watts products previously or subsequently sold.



USA: T: (800) 338-2581 • Watts.com
Canada: T: (888) 208-8927 • Watts.ca
Latin America: T: (52) 55-4122-0138 • Watts.com