

Engineering Specification

Job Name _____
 Job Location _____
 Engineer _____
 Approval _____

Contractor _____
 Approval _____
 Contractor's P.O. No. _____
 Representative _____

FD-820-G Flushing Rim Floor Drain & Deep Seal "P" Trap

Specification

Watts FD-820-G flushing rim floor drain with white epoxy coated cast iron body 3/4"(19) IPS flushing connection, nickel bronze hinged perforated grate and frame, epoxy coated cast iron, deep seal "P" trap with 1/2"(13) trap flushing connection.

Call customer service if you need assistance with technical details.

Pipe Sizing		
Suffix	Description	
2	2"(51) Pipe Size	<input type="checkbox"/>
3	3"(76) Pipe Size	<input type="checkbox"/>
4	4"(102) Pipe Size	<input type="checkbox"/>

Outlet Type		
Suffix	Description	
NH	No Hub (MJ)	<input type="checkbox"/>
P	Push On	<input type="checkbox"/>
T	Threaded Outlet	<input type="checkbox"/>
X	Inside Caulk	<input type="checkbox"/>

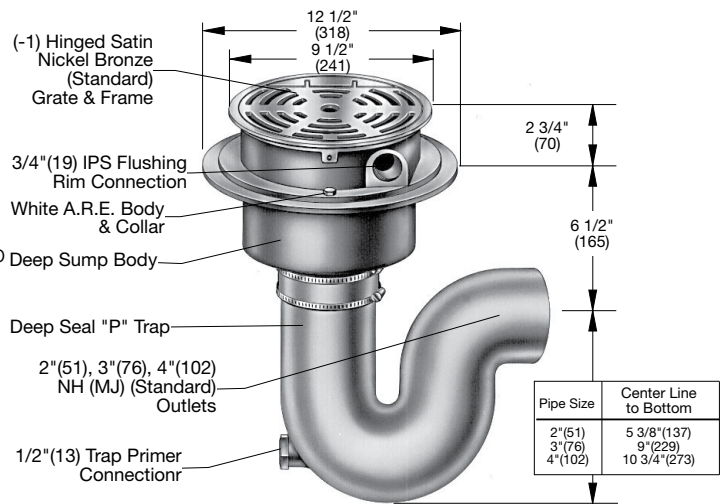
Options		
Suffix	Description	
-C	Clamping Device	<input type="checkbox"/>
-6	Vandal Proof	<input type="checkbox"/>
-10	Secured Top c/w Phillips Screws	<input type="checkbox"/>

Load Rating	Free Area Sq. mIn.
*XHD	18

NOTICE

The information contained herein is not intended to replace the full product installation and safety information available or the experience of a trained product installer. You are required to thoroughly read all installation instructions and product safety information before beginning the installation of this product.

Watts product specifications in U.S. customary units and metric are approximate and are provided for reference only. For precise measurements, please contact Watts Technical Service. Watts reserves the right to change or modify product design, construction, specifications, or materials without prior notice and without incurring any obligation to make such changes and modifications on Watts products previously or subsequently sold.



NOTICE

*The load classifications are in accordance with the American National Standards ASME A112.21.1M ASME ratings are as follows:
 XHD - Safe live load 7500-10,000 lbs (3375-4500 kg)

The above categories are given as a guide only. Please consult factory



USA: T: (800) 338-2581 • Watts.com
 Canada: T: (888) 208-8927 • Watts.ca
 Latin America: T: (52) 55-4122-0138 • Watts.com