

# Engineering Specification

Job Name \_\_\_\_\_

Contractor \_\_\_\_\_

Job Location \_\_\_\_\_

Approval \_\_\_\_\_

Engineer \_\_\_\_\_

Contractor's P.O. No. \_\_\_\_\_

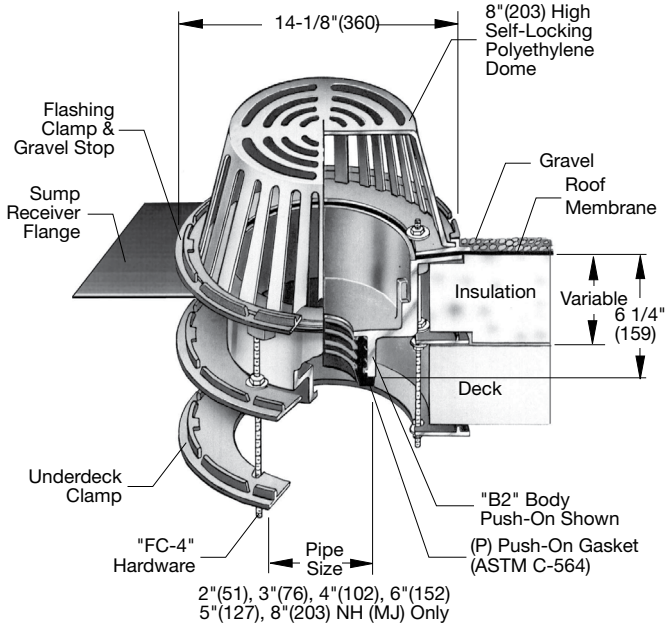
Approval \_\_\_\_\_

Representative \_\_\_\_\_

Tag \_\_\_\_\_

## RD-100-BED Large Area Roof Drain w/Sump Receiver, Adjustable Extension, and Deck Clamp Specification

Watts RD-100-BED epoxy coated cast iron roof drain with deep sump, wide serrated flashing flange, flashing clamp device with integral gravel stop and self-locking polyethylene dome strainer.



Pipe Sizing	
Suffix	Description
2	2"(51) Pipe Size
3	3"(76) Pipe Size
4	4"(102) Pipe Size
5	5"(127) Pipe Size
6	6"(152) Pipe Size
8	8"(203) Pipe Size

Outlet Type	
Suffix	Description
NH	No Hub (MJ)
P	Push On
T	Threaded Outlet
X	Inside Caulk

Optional Body Material (NH Only)	
Suffix	Description
-60	PVC Body w/Socket Outlet
-61	ABS Body w/Socket Outlet

Options	
Suffix	Description
-A	Accutrol Weir (Specify # 1-6 Slots)
-C	Secondary Membrane Clamp
-GSS	Stainless Steel Ballast Guard
-H	Adj. to 6" IRMA Ballast Guard
-K	Ductile Iron Dome
-K80	Aluminum Dome
-L	Vandal Proof Dome
-R	2" High External Water Dam
-V	Fixed Extension (1 1/2", 2", 3", 4")
-W	Adj. Water Level Regulator
-W-1	Waterproofing Flange
-Z	Extended Integral Wide Flange
-5	Sediment Bucket
-6	Vandal Proof Top
-12	Galvanized Dome
-13	All Galvanized
-83	Mesh Covered Dome
-113M	Special Epoxy from 3M Range

Free Area Sq. In.
137

**Deck Opening 10"(254)  
with Sump Receiver 13 1/4"(337)**

### NOTICE

The information contained herein is not intended to replace the full product installation and safety information available or the experience of a trained product installer. You are required to thoroughly read all installation instructions and product safety information before beginning the installation of this product.

Watts product specifications in U.S. customary units and metric are approximate and are provided for reference only. For precise measurements, please contact Watts Technical Service. Watts reserves the right to change or modify product design, construction, specifications, or materials without prior notice and without incurring any obligation to make such changes and modifications on Watts products previously or subsequently sold.



USA: T: (800) 338-2581 • Watts.com  
Canada: T: (888) 208-8927 • Watts.ca  
Latin America: T: (52) 55-4122-0138 • Watts.com