

Engineering Specification

Job Name _____
 Job Location _____
 Engineer _____
 Approval _____

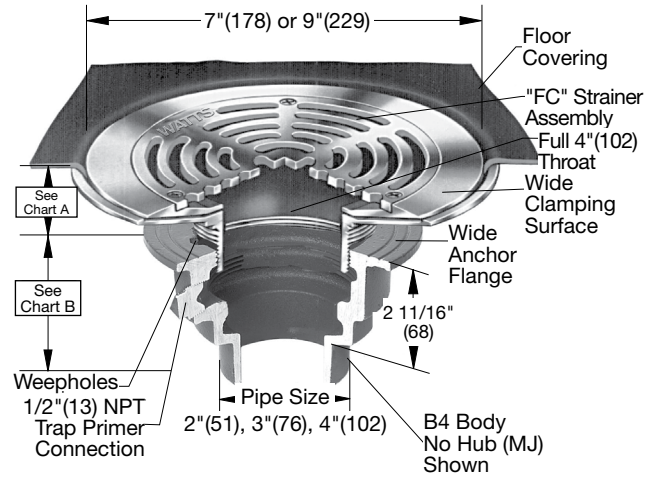
Contractor _____
 Approval _____
 Contractor's P.O. No. _____
 Representative _____

FD-200-FC Floor Drain with Surface Membrane Clamp

Specification

Watts FD-200-FC epoxy coated cast iron floor drain with anchor flange, weepholes, 1/4" thick (specify diameter) adjustable nickel bronze (standard) strainer with surface membrane clamp, and no hub (MJ) (standard) outlet.

Call customer service if you need assistance with technical details.



Pipe Sizing	
Suffix	Description
2	2"(51) Pipe Size
3	3"(76) Pipe Size
4	4"(102) Pipe Size

Strainer	
Suffix	Description
FC7-1	7"(178) Dia., Nickel Bronze
FC7-3	7"(178) Dia., Stainless Steel
FC9-1	9"(229) Dia., Nickel Bronze

Outlet Type	
Suffix	Description
NH	No Hub (MJ)
P	Push On

Optional Body Material	
Suffix	Description
-60	PVC Body w/Socket Outlet
-61	ABS Body w/Socket Outlet

Options	
Suffix	Description
-5	Sediment Bucket
-6	Vandal Proof
-8	Backwater Valve (3, 4" Only)
-12	Galvanized Top
-13	All Galvanized
-15	Strainer Extension (DD-50)
-113M	Special Epoxy from 3M Range
-F4-50	4" Round Cast Iron Funnel
-F4-1	4" Round Nickel Bronze Funnel
-F6-1	6" Round Nickel Bronze Funnel
-G-50	4" x 9" Oval Cast Iron Funnel
-G-1	4" x 9" Oval Nickel Bronze Funnel
-Z	Elastomeric Flange

Chart A

Strainer Dia.	Min.	Max.	Load Rating	Free Area
7"(178)	1 1/2"(38)	2 3/4"(70)	MD	9
7"(178)	1 1/2"(38)	2 3/4"(70)	MD	9
9"(229)	1 1/2"(38)	2 3/4"(70)	MD	12

Chart B

Pipe Size	Std. No Hub	P Push On	60/61 PVC/ABS
2"(51)	3 5/8"(92)	4"(102)	4"(102)
3"(76)	3 5/8"(92)	4"(102)	3 3/4"(95)
4"(102)	3 5/8"(92)	4"(102)	3 3/4"(95)

NOTICE

The load classifications are in accordance with the American National Standard ASME A112.21.1M ASME Ratings are as follows:
 MD Safe Live Load 2,000-4,999 lbs. (900-2250 kg)
 The above categories are given as a guide only. Please consult factory.

NOTICE

The information contained herein is not intended to replace the full product installation and safety information available or the experience of a trained product installer. You are required to thoroughly read all installation instructions and product safety information before beginning the installation of this product.

Watts product specifications in U.S. customary units and metric are approximate and are provided for reference only. For precise measurements, please contact Watts Technical Service. Watts reserves the right to change or modify product design, construction, specifications, or materials without prior notice and without incurring any obligation to make such changes and modifications on Watts products previously or subsequently sold.



USA: T: (800) 338-2581 • Watts.com
 Canada: T: (888) 208-8927 • Watts.ca
 Latin America: T: (52) 55-4122-0138 • Watts.com