

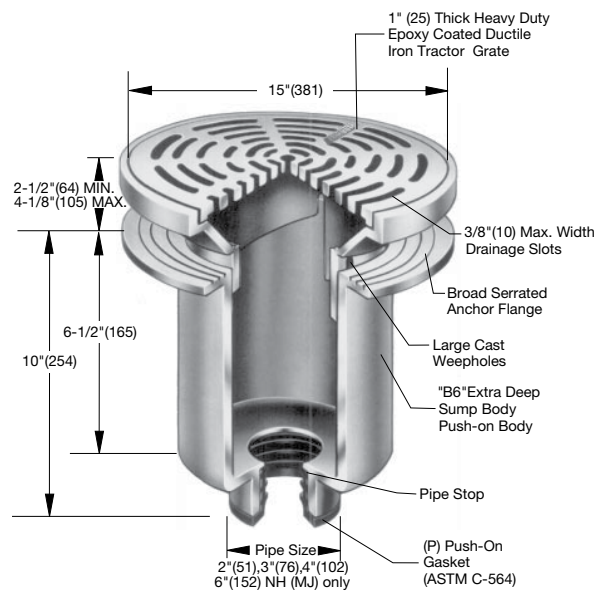
# Engineering Specification

Job Name \_\_\_\_\_  
 Job Location \_\_\_\_\_  
 Engineer \_\_\_\_\_  
 Approval \_\_\_\_\_  
 Tag \_\_\_\_\_

Contractor \_\_\_\_\_  
 Approval \_\_\_\_\_  
 Contractor's P.O. No. \_\_\_\_\_  
 Representative \_\_\_\_\_

## FD-370 Area Drain with 15" Round Adjustable Top & Deep Sump Specification

Watts FD-370 epoxy coated cast iron floor drain with extra deep sump body, wide serrated anchor flange, weepholes, adjustable collar and 15"(381) round epoxy coated heavy duty ductile iron (standard) grate, and no hub (MJ) (standard) outlet.



Pipe Sizing	
Suffix	Description
2	2"(51) Pipe Size
3	3"(76) Pipe Size
4	4"(102) Pipe Size
6	6"(152) Pipe Size

Outlet Type	
Suffix	Description
NH	No Hub (MJ)
P	Push On
T	Threaded Outlet
X	Inside Caulk

Grate	
Suffix	Description
-1	Nickel Bronze
-4	Ductile Iron

Options	
Suffix	Description
-5	Sediment Bucket
-6	Vandal Proof
-8	Backwater Valve (3, 4" Only)
-10	Secured Top c/w Phillips screws
-12	Galvanized Top
-13	All Galvanized
-113M	Special Epoxy from 3M Range
-F4-50	4" Round Cast Iron Funnel
-F4-1	4" Round Nickel Bronze Funnel
-F6-1	6" Round Nickel Bronze Funnel
-G-50	4x9" Oval Cast Iron Funnel
-G-1	4x9" Oval Nickel Bronze Funnel
-Z	Elastomeric Flange

Load Rating & Free Area		
Suffix	Load Rating	Free Area Sq. In.
-1	*XHD	60
-4	*XHD	60

### NOTICE

The information contained herein is not intended to replace the full product installation and safety information available or the experience of a trained product installer. You are required to thoroughly read all installation instructions and product safety information before beginning the installation of this product.

### NOTICE

\* The load classifications are in accordance with the American National Standards ASME A112.21.1M ASME Ratings are as follows:  
 XHD - Safe Live Load 7500-10000 lbs.(3375-4500kg)  
 The above categories are given as a guide only.  
 Please consult factory.

Watts product specifications in U.S. customary units and metric are approximate and are provided for reference only. For precise measurements, please contact Watts Technical Service. Watts reserves the right to change or modify product design, construction, specifications, or materials without prior notice and without incurring any obligation to make such changes and modifications on Watts products previously or subsequently sold.



**USA:** T: (800) 338-2581 • Watts.com  
**Canada:** T: (888) 208-8927 • Watts.ca  
**Latin America:** T: (52) 55-4122-0138 • Watts.com