

# Engineering Specification

Job Name \_\_\_\_\_ Contractor \_\_\_\_\_

Job Location \_\_\_\_\_ Approval \_\_\_\_\_

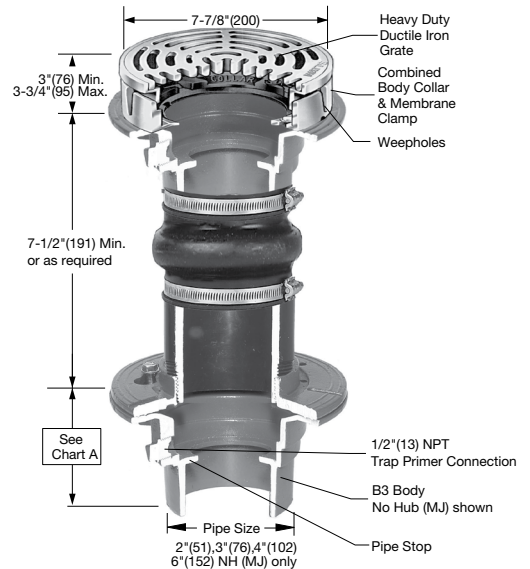
Engineer \_\_\_\_\_ Contractor's P.O. No. \_\_\_\_\_

Approval \_\_\_\_\_ Representative \_\_\_\_\_

Tag \_\_\_\_\_

## FD-620 Isolation Area Drain Specification

Watts FD-620 epoxy coated cast iron floor drain with upper and lower bodies with serrated clamping flanges with integral double weepholes, membrane clamps, neoprene expansion compensator and 8"(203) round adjustable top and epoxy coated ductile iron grate.



Pipe Sizing	
Suffix	Description
2	2"(51) Pipe Size
3	3"(76) Pipe Size
4	4"(102) Pipe Size
6	6"(152) Pipe Size

Options	
Suffix	Description
-5	Sediment Bucket
-6	Vandal Proof
-8	Backwater Valve (3, 4" Only)
-12	Galvanized Top
-13	All Galvanized
-113M	Special Epoxy from 3M Range

Outlet Type	
Suffix	Description
NH	No Hub (MJ)
P	Push On
T	Threaded Outlet
X	Inside Caulk

Top Assembly	
Suffix	Description
-1	8"(203) Diameter, NB Veneer
-4	8"(203) Diameter, Ductile Iron

Pipe Size	Std. No Hub	P Push On	T Female Thread	X Inside Caulk	60/61 PVC/ABS
2"(51)	3 5/8"(92)	4-1/4"(108)	4-1/4"(108)	4-1/2"(114)	3-3/4"(95)
3"(76)	3 5/8"(92)	4-1/4"(108)	4-1/4"(108)	4-1/2"(114)	3-3/4"(95)
4"(102)	3 5/8"(92)	4-1/4"(108)	4-1/4"(108)	4-1/2"(114)	4"(102)
6"(152)	3-1/2"(89)				

Load Rating & Free Area	
Load Rating	Free Area Sq. In.
*XHD	15

### NOTICE

The information contained herein is not intended to replace the full product installation and safety information available or the experience of a trained product installer. You are required to thoroughly read all installation instructions and product safety information before beginning the installation of this product.

### NOTICE

\* The load classifications are in accordance with the American National Standards ASME A112.21.1M ASME Ratings are as follows:  
XHD - Safe Live Load 7500-10000 lbs.(3375-4500kg)  
The above categories are given as a guide only.  
Please consult factory.

Watts product specifications in U.S. customary units and metric are approximate and are provided for reference only. For precise measurements, please contact Watts Technical Service. Watts reserves the right to change or modify product design, construction, specifications, or materials without prior notice and without incurring any obligation to make such changes and modifications on Watts products previously or subsequently sold.



USA: T: (800) 338-2581 • Watts.com  
Canada: T: (888) 208-8927 • Watts.ca  
Latin America: T: (52) 55-4122-0138 • Watts.com