

# Engineering Specification

Job Name \_\_\_\_\_  
 Job Location \_\_\_\_\_  
 Engineer \_\_\_\_\_  
 Approval \_\_\_\_\_

Contractor \_\_\_\_\_  
 Approval \_\_\_\_\_  
 Contractor's P.O. No. \_\_\_\_\_  
 Representative \_\_\_\_\_

## ISCA-101-L/R Industry Standard Single Horizontal Adjustable Closet Carrier

### Specification

Watts ISCA-101-L/R *Industry Standard* single horizontal adjustable water closet carrier with epoxy coated cast iron fitting, 4"(102) no hub waste and 2"(51) no hub vent connections, epoxy coated cast iron patent pending compression seal faceplate assembly, epoxy coated cast iron foot supports adjustable for standard and wheelchair height, adjustable ABS nipple with integral test cap and neoprene bowl gasket, plated hardware and chrome cap nuts.

Call customer service at 1 (800) 338-2581 if you need assistance with technical details.

Options	
Suffix	Description
-3	3" No Hub Fitting
-36	36" Long Barrel Fitting
-CA-100-EXT	Aux. Support System w/Extended Nipple
-CI	Cast Iron Nipple
-HS	Hub & Spigot Connections
-M1	ABS Extended Nipple (up to 24")
-M20	Flush Valve Support

#### NOTICE

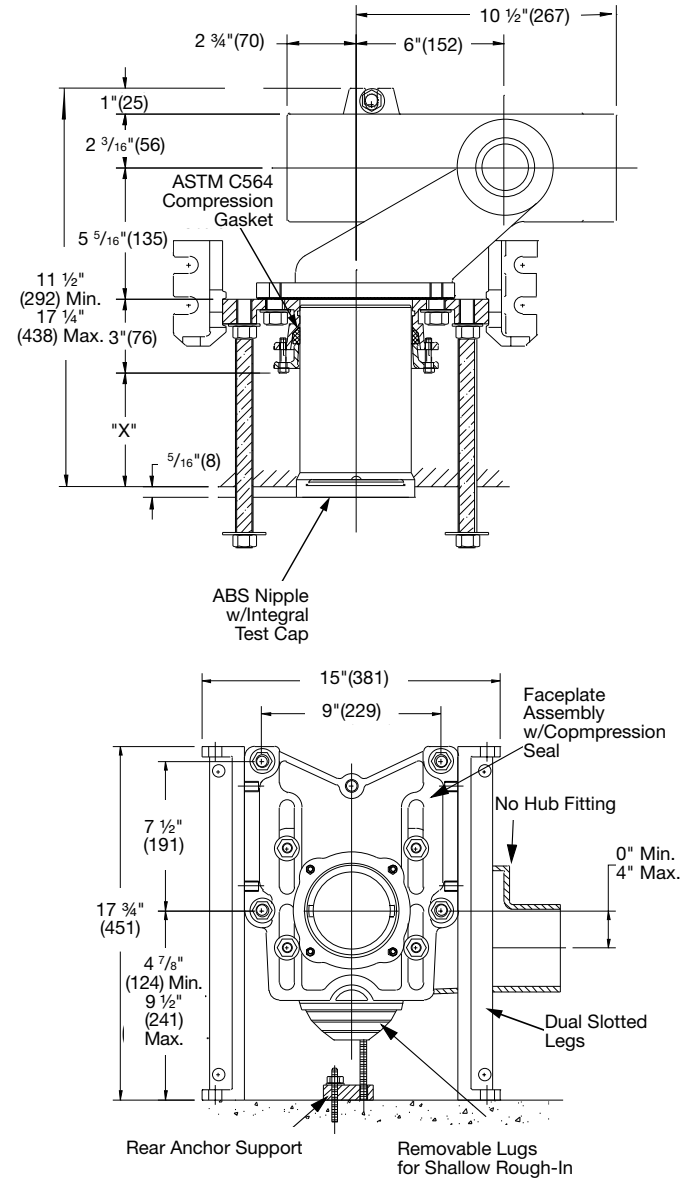
Siphon jet (4 bolt) arrangement shown. Invert faceplate assembly for blow-out (3 bolt) bowls.

#### NOTICE

Anchor legs to concrete floor with minimum 1/2"(13) anchor bolts (by others).

Dual slotted carrier feet require one 1/2"(13) anchor bolt per foot.

**X = 5-3/4" (146) Maximum with Standard Nipple**



#### NOTICE

The information contained herein is not intended to replace the full product installation and safety information available or the experience of a trained product installer. You are required to thoroughly read all installation instructions and product safety information before beginning the installation of this product.

Watts product specifications in U.S. customary units and metric are approximate and are provided for reference only. For precise measurements, please contact Watts Technical Service. Watts reserves the right to change or modify product design, construction, specifications, or materials without prior notice and without incurring any obligation to make such changes and modifications on Watts products previously or subsequently sold.



USA: T: (800) 338-2581 • Watts.com  
 Canada: T: (888) 208-8927 • Watts.ca  
 Latin America: T: (52) 55-4122-0138 • Watts.com